

IMPORTANT SAFEGUARDS

When using electrical appliances, basic safety precautions should always be followed including the following:

READ ALL INSTRUCTIONS BEFORE USE

- Use iron only for its intended use.
- To protect against risk of electric shock, do not immerse the iron in water or other liquids.
- The Fabric Select Dial and Steam Lever should always be turned to OFF before plugging or unplugging from outlet. Never yank cord to disconnect from outlet; instead, grasp plug and pull to disconnect.
- Do not allow cord to touch hot surfaces. Let iron cool completely before storing. Loop cord loosely around iron when storing.
- Always disconnect iron from electrical outlet when filling with water, cleaning, emptying or when not in use.
- Do not operate iron with a damaged cord or if the iron has been dropped or damaged. To avoid the risk of electric shock, do not disassemble the iron. Take it to an authorized service center for examination and/or repair. Incorrect reassembly can cause a risk of electric shock when iron is used.
- Close supervision is necessary for any appliance being used by or near children. Do not leave iron unattended while plugged in, turned on or on an ironing board.
- Burns can occur from contact with hot metal parts, hot water or steam. Use caution when you turn a steam iron upside down – there may be hot water in the reservoir.
- If the iron is not operating normally, disconnect from the power supply and have the iron serviced by an authorized service center or call Customer Service at 1 (800) 458-8407.
- Your SUNBEAM® iron is designed to rest on the heel rest. Do not leave the iron unattended. Do not set the iron on an unprotected surface, even if it is on the heel rest.
- This is a high wattage appliance. To avoid a circuit overload, do not operate another high wattage appliance on the same circuit.
- If an extension cord is absolutely necessary, a 15-ampere cord should be used. Cords rated for less amperage may overheat. Care should be taken to arrange the extension cord so that it cannot be pulled or tripped over.

FOR PRODUCTS PURCHASED IN THE UNITED STATES AND CANADA

To reduce the risk of electrical shock, this appliance has a polarized plug (*one blade is wider than the other*). This plug fits a polarized outlet only one way; if the plug does not fit fully into the outlet, reverse the plug. If it still does not fit, contact a qualified electrician. Do not attempt to defeat this safety feature.

SAVE THESE INSTRUCTIONS

MAINTAINING YOUR IRON (continued)

- Open fill cap and empty remaining water. Carefully dry soleplate with a towel after iron has cooled.
- Plug in iron and set Fabric Select Dial to Linen and Heat for 2 minutes to dry out completely. Set Fabric Select Dial to Off, unplug the iron, and allow to cool.

CLEANING SOLEPLATE: Clean soleplate after every 30 uses, or more frequently if starch is used or build-up starts to accumulate. Before cleaning, ensure iron is unplugged and cool.

WARNING: Do not immerse in liquids or use abrasive cleansers or scouring pads to clean the soleplate. This will damage the finish.

Type of Debris/Build-Up	Cleaning Recommendation
Light Dirt	Use a cotton cloth or terrycloth towel to wipe the soleplate with warm soapy water.
Hard Water Deposits	Use a cotton cloth or terrycloth towel to wipe the soleplate with a 50/50 vinegar/water mixture.
Heavy Starch or Residue Build-up	Use Hot Iron Cleaner or Mr.Clean® Magic Eraser® cleaning pad. Refer to the manufacturer's directions included with these products for specific cleaner usage instructions. Mr. Clean® and Magic Eraser® are registered trademarks owned by the Procter & Gamble company.

ANTI-CALCIUM SYSTEM (select models only)

Anti-calcium is a permanent system located inside the water reservoir to eliminate impurities. To PROLONG EFFICIENCY, FOLLOW THESE STEPS ONCE A MONTH OR After Every 30 Uses:

- Turn off iron.
- Add 1 teaspoon of salt to ¾ cup water and fill water reservoir with this solution.
- Leave solution in water reservoir for 15 minutes, shake occasionally, and then empty through the fill hole or through the "clean method".
- Fill water reservoir again with salt water solution, shake and empty after 15 minutes.
- Fill water reservoir with fresh water to rinse and empty.

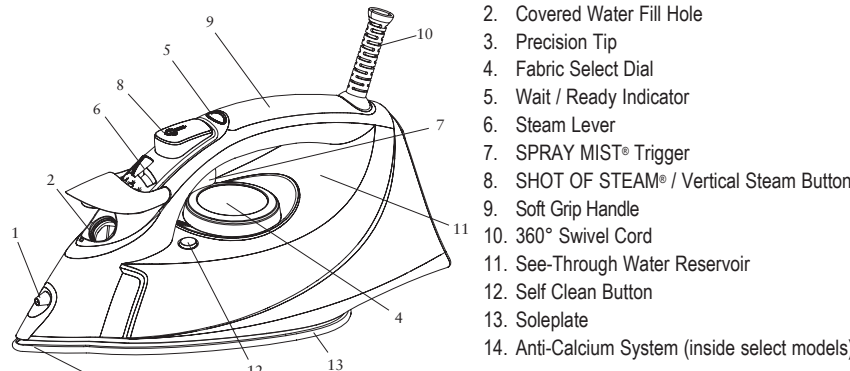
IRONING TIPS

- Before ironing, check the garment label and follow manufacturer's instructions. If no instructions, start with a low-heat setting and test by ironing a small area, and gradually increase heat.
- Sort garments by fabric type. Iron articles requiring a low-temperature setting and gradually work up the temperature range.
- When changing from a high-temperature setting to a lower one, allow 5 minutes for change.
- When steam ironing, use long, slow passes over the fabric to allow the steam to penetrate the fabric and the heat of the soleplate to dry the moisture.
- Iron linen garments inside out to prevent shine. An ironing cloth or cotton fabric can be used to reduce shine.
- If the garment is lined, use a low heat setting.
- Ensure zippers are closed and flap is flat. Iron over the flap, holding the garment taut.
- Spray starch makes the job easier.

IRONING SHIRTS

- Begin with the collar and work toward the middle from the outer edges. Iron lengthwise, not in circles.
- Lay shoulder over narrow edge of the board and iron one side of the front. Then iron the shoulder, across the back (below the collar line), the other shoulder and the remainder of the front.
- Iron sleeves and cuffs, working down from the underarm seams. To remove creases, shift the double layer of sleeve fabric and iron out.
- Iron body of garment, from half of the front around the back, then second half of front. If your shirt does not open, slip over end of ironing board and iron front and back in turn.

FEATURES



DRY IRONING

- Ensure Steam Lever is turned to the ☞ (Dry) setting.
- Plug the cord into a 120-Volt AC outlet. The red "Wait" indicator light will be illuminated if the iron has not reached its set temperature.
- Turn Fabric Select Dial to desired setting. Allow iron to heat on its heel rest on a stable and protected surface, until the "Ready" indicator light turns green indicating that the iron is ready. The power light will oscillate green/red once temp is reached in order to maintain the set temperature.

NOTE: While Steam Lever is turned to the ☞ (Dry) setting, you may still use the SHOT OF STEAM® or SPRAY MIST® features, as long as the Fabric Select Dial is set to wool, cotton, or linen. Water reservoir must be at least ¼ full of water.

FILLING WATER RESERVOIR (use tap water)

- Turn Steam Lever to ☞ (Dry) and Fabric Select Dial to Off. Unplug.
- Lift the Water Fill Hole Cover. Use any easy-pour measuring cup to fill the water reservoir with tap water through the Water Fill Hole. Do not fill water reservoir beyond maximum fill line.
- Close the Water Fill Hole Cover completely after filling.

WARNING: To prevent the risk of burns, be careful when filling a hot iron with water. Hot metal parts, hot water and steam can cause injuries.

STEAM IRONING

- Follow the instructions for "Filling the Water Reservoir".
- Fill Water Reservoir and plug the cord into a 120-Volt AC outlet.
- Turn Steam Lever to desired steam setting. Only use Steam setting and/or Shot of Steam® feature with Wool, Cotton or Linen Fabric Settings.
- Turn the Fabric Select Dial to desired setting. Allow iron to heat on its heel rest on a stable and protected surface, until the "Ready" indicator turns green indicating that the iron is ready. The power light will oscillate green/red once temp is reached in order to maintain the set temperature.

SPECIAL FEATURES

SPRAY MIST® FEATURE is a powerful water spray mist that dampens the fabric to aid in removing wrinkles from heavy fabrics and for setting creases.
TO USE: Press the Spray Mist® Trigger firmly.

IRONING TIPS (continued)

IRONING PANTS

- Begin with the waistband and inseam area, then pockets and cuffs.
- Pull waistband on pointy end of the board, as if you're "dressing" the ironing board. Iron upper-front part of the pants, including the waistband.
- Place pants parallel to ironing board lengthwise so both legs are facing the same direction. Iron each leg by moving the iron back and forth along the pant leg.
- Take cuff of the leg and bring it over towards the waistband to iron the inner part of the leg. Repeat these 2 steps for the second leg.

TROUBLE SHOOTING

PROBLEM	CAUSE/SOLUTION
"Red" indicator light is blinking	<ul style="list-style-type: none">The light blinks to indicate that the iron auto-off function has been activated.To stop blinking and reset, move the iron back and forth and allow to re-heat until the "Ready" indicator light turns green.
Iron is not heating	<ul style="list-style-type: none">Ensure the iron is on and the "Wait" or "Ready" indicator light is illuminated.Verify unit is plugged in.Adjust fabric dial to the correct setting for your garments.The power light will oscillate green/red once temp is reached in order to maintain the set temperature.
Iron will not steam	<ul style="list-style-type: none">Ensure water tank level is at least ¼ full.Ensure steam lever is switched on.Press Shot of Steam button several times to prime.
Iron is leaking	<ul style="list-style-type: none">Only fill with water to the MAX level.Allow to heat for at least 2 minutes before use, and wait until the "Ready" indicator light has turned green to indicate that it is ready.Shot of Steam has been pressed too frequently. Only use shot of steam in 3 second intervals or less.Steam setting and/or Shot of Steam used with incorrect fabric setting. Only use with Wool, Cotton or Linen settings.Empty water tank after each use and turn steam lever off.
Iron leaves spots/flakes on clothing	<ul style="list-style-type: none">Empty water tank completely after each useClean soleplate when cool with a wet, damp clothUse self-cleaning feature once a monthRefer to the Anti-Calcium System section (select models only)Ensure water cup used to fill the iron is clean
Wrinkles are not sufficiently removed	<ul style="list-style-type: none">Check that the temperature dial is set to the correct fabric settingUse Shot of Steam or Spray Mist features to help remove stubborn wrinkles
Fabrics are getting an unwanted "shine"	<ul style="list-style-type: none">Use an ironing cloth or a 100% white cotton fabric and place it between the garment being ironed and the iron to prevent "shine"

SPECIAL FEATURES (continued)

SHOT OF STEAM® FEATURE provides an extra burst of steam for deep penetration of stubborn wrinkles. You can use this feature while Dry or Steam ironing as long as the Fabric Select Dial is set to wool, cotton, or linen. The water reservoir must be at least ¼ full of water.
TO USE: Place the iron on top of the wrinkle and press the Shot of Steam® button each time you would like an extra burst of steam. The Shot of Steam® feature may be used continuously in approximately 3-second intervals.

VERTICAL SHOT OF STEAM® FEATURE allows iron to function vertically as a garment steamer.

TIP: When using vertical steam, hang clothing on a hanger for best results. Hanging curtains and drapes may also be steamed.

TO USE:

- Ensure that the iron is heated up and the Ready indicator light has turned green.
- Hold iron vertically near, but not touching the fabric you want to steam. Pull the fabric tight.
- Press Shot of Steam® button in 3-second intervals as you move iron over wrinkles.

WARNING: To prevent burns, keep hands away from the area being steamed.
WARNING: DO NOT steam garments while wearing them; this may result in injuries.

3-WAY MOTION SMART® AUTO-OFF FEATURE

This feature automatically turns the iron off if left in one position too long to avoid accidents.

IF YOU LEAVE IRON ON:

- Horizontally without moving it, or accidentally tip the iron over, it will automatically stop heating after 30 seconds. The light turns red when auto-off activates and blinks.
- Vertically (on its heel rest) without moving it, the iron will automatically turn off after 15 minutes. The light turns red when auto-off activates and blinks.

IMPORTANT: When the auto-off feature has been activated, the unit will beep 6 times and the indicator light will blink.
TO RESET: Move iron back and forth and reheat until the "Ready" indicator light turns green.

CARING FOR YOUR IRON AFTER USE

TURNING OFF IRON: Turn Steam Lever to ☞ (Dry) and Fabric Select Dial to Off. Unplug.

WARNING: NEVER yank power cord when unplugging iron. This can damage the cord.

Empty water reservoir completely after each use.

STORING YOUR IRON

- Turn off iron, unplug and allow to cool.
- Empty water reservoir after each use.
- Loosely loop the power cord around the heel rest and store the iron on its heel rest. **IMPORTANT:** Wrapping the cord around the iron too tightly can damage the cord.

MAINTAINING YOUR IRON

USING SELF-CLEAN FEATURE: Use the Self-Clean feature once a month to maintain optimal iron performance.

- Turn off and unplug iron.
- Move Steam Lever back and forth to remove debris and minerals from Steam Valve. This keeps water flowing into the steam chamber.
- Fill water reservoir with tap water to MAX line.
- Plug in iron, set Fabric Select Dial to Linen and heat until the indicator light turns green.
- Turn off and unplug iron. Holding iron over a sink in a horizontal position, press Self-Clean Button and hold. Water will begin dripping from the steam vents. Slowly rock iron side to side and front to back for 30 seconds. Dip nose of the iron slightly below the rear to circulate water. Release Self-Clean Button after one minute.

3 YEAR LIMITED WARRANTY AND LIFETIME LIMITED SOLEPLATE WARRANTY

Sunbeam Products, Inc. doing business as Jarden Consumer Solutions or if in Canada, Sunbeam Corporation (Canada) Limited doing business as Jarden Consumer Solutions (collectively "JCS") warrants that for a period of three years from the date of initial retail purchase, this product will be free from defects in material and workmanship. JCS warrants the iron's soleplate will be free from defects in material and workmanship for the life of the iron from the date of initial retail purchase.

JCS, at its option, will repair or replace this product or any component of the product found to be defective during the warranty period. Replacement will be made with a new or remanufactured product or component. If the product is no longer available, replacement may be made with a similar product of equal or greater value. This is your exclusive warranty. Do NOT attempt to repair or adjust any electrical or mechanical functions on this product. Doing so will void this warranty.

This warranty is valid for the original retail purchaser from the date of initial retail purchase and is not transferable. Keep the original sales receipt. Proof of purchase is required to obtain warranty performance. JCS dealers, service centers, or retail stores selling JCS products do not have the right to alter, modify or any way change the terms and conditions of this warranty.

This warranty does not cover normal wear of parts or damage resulting from any of the following: negligent use or misuse of the product, commercial use, accident, use on improper voltage or current, use contrary to the operating instructions, disassembly, repair or alteration by anyone other than JCS or an authorized JCS service center. Further, the warranty does not cover: Acts of God, such as fire, flood, hurricanes and tornadoes. Soleplate warranty does not cover scratches or discoloration of the soleplate finish and only applies as long as the iron generates optimal heat.

What are the limits on JCS's Liability?

JCS shall not be liable for any incidental or consequential damages caused by the breach of any express, implied or statutory warranty or condition.

Except to the extent prohibited by applicable law, any implied warranty or condition of merchantability or fitness for a particular purpose is limited in duration to the duration of the above warranty.

JCS disclaims all other warranties, conditions or representations, express, implied, statutory or otherwise.

JCS shall not be liable for any damages of any kind resulting from the purchase, use or misuse of, or inability to use the product including incidental, special, consequential or similar damages or loss of profits, or for any breach of contract, fundamental or otherwise, or for any claim brought against purchaser by any other party.

Some provinces, states or jurisdictions do not allow the exclusion or limitation of incidental or consequential damages or limitations on how long an implied warranty lasts, so the above limitations or exclusion may not apply to you.

This warranty gives you specific legal rights, and you may also have other rights that vary from province to province, state to state or jurisdiction to jurisdiction.

How to Obtain Warranty Service

In the U.S.A.

If you have any question regarding this warranty or would like to obtain warranty service, please call 1-800-458-8407 and a convenient service center address will be provided to you.

In Canada

If you have any question regarding this warranty or would like to obtain warranty service, please call 1-800-667-8623 and a convenient service center address will be provided to you.

In the U.S.A., this warranty is offered by Sunbeam Products, Inc. doing business as Jarden Consumer Solutions located in Boca Raton, Florida 33431. In Canada, this warranty is offered by Sunbeam Corporation (Canada) Limited doing business as Jarden Consumer Solutions, located at 20 B Herford Street, Brampton, Ontario L6Y 0M1. If you have any other problem or claim in connection with this product, please write our Consumer Service Department. PLEASE DO NOT RETURN THIS PRODUCT TO ANY OF THESE ADDRESSES OR TO THE PLACE OF PURCHASE.

STOP PLEASE DO NOT RETURN THIS PRODUCT TO ANY OF THESE ADDRESSES OR TO THE PLACE OF PURCHASE.

For product questions visit us online at www.sunbeam.com or call 800-458-8407.

Visit www.sunbeam.com for an Ironing Guide and Ironing Tips
Planchado
Visite www.sunbeam.com para una Guía de Planchado y Sugerecias de

© 2014 Sunbeam Products, Inc. operando bajo el nombre de Jarden Consumer Solutions.
Todos los derechos reservados. Distribuido por Sunbeam Products, Inc. operando bajo el nombre de Jarden Consumer Solutions, Boca Raton, Florida 33431.

Para preguntas sobre los productos llame:
Sunbeam Consumer Service
EE.UU.: 1.800.458.8407
Canada: 1.800.667.8623
www.sunbeam.com

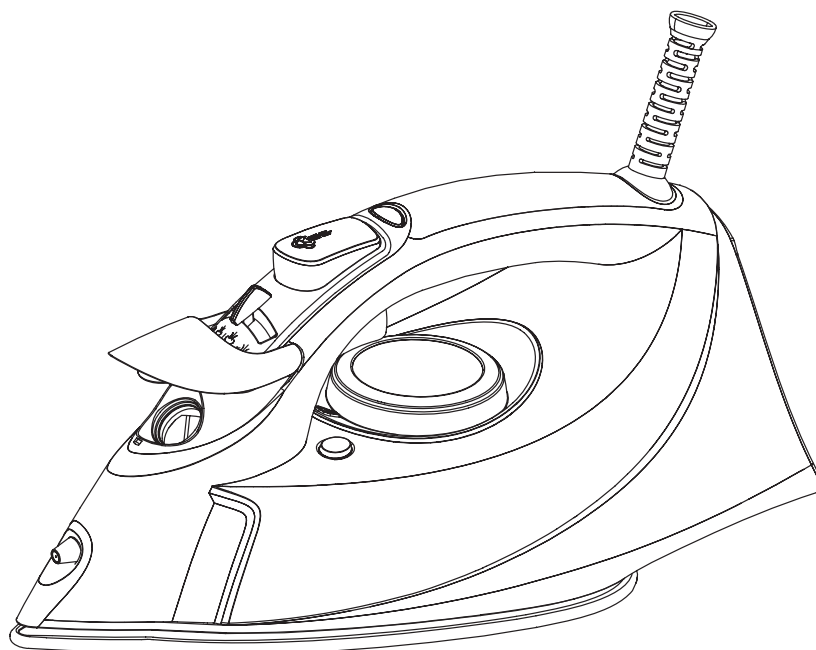
© 2014 Sunbeam Products, Inc. doing business as Jarden Consumer Solutions.
All rights reserved. Distributed by Sunbeam Products, Inc. doing business as Jarden Consumer Solutions, Boca Raton, Florida 33431.

For product questions:
Sunbeam Consumer Service
USA: 1.800.458.8407
Canada: 1.800.667.8623
www.sunbeam.com

Sunbeam®

Sunbeam®

Instruction Manual Sunbeam® Turbo Steam Iron
Manual de Instrucciones Plancha Sunbeam® de Vapor Turbo



Series 8
Serie 8

PRECAUCIONES IMPORTANTES

Cuando use algún aparato eléctrico siempre deben seguirse precauciones básicas de seguridad incluyendo las siguientes:

LEA TODAS LAS INSTRUCCIONES ANTES DE USAR

- Use la plancha únicamente para el uso al que está destinada.
- Para protegerse contra el riesgo de un choque eléctrico, no sumerja la plancha en agua ni en otros líquidos.
- El dial de selección del tipo de tela y la palanca de vapor siempre deben estar apagadas "OFF" antes de enchufar o desconchufar la plancha del tomacorriente. Nunca tire del cable para desconectarla del tomacorriente, sujete el enchufe y tire de él para desconectarla.
- No permita que el cable toque superficies calientes. Deje enfriar la plancha por completo antes de guardarla. Envuelva el cable flojamente alrededor de la plancha para guardarla.
- Desconecte siempre la plancha del tomacorriente eléctrico cuando esté llenándolo con agua, limpiándolo o vaciándolo y cuando no la esté usando.
- No haga funcionar la plancha si el cable está dañado o si la plancha se ha caído o dañado. Para evitar el riesgo de choque eléctrico, no desarme la plancha. Lévela a un centro de servicio autorizado para que la examinen y/o reparen. El rearmado incorrecto puede provocar el riesgo de un choque eléctrico al usar la plancha.
- Es necesario vigilar cuidadosamente a los niños cuando usen cualquier aparato o se encuentren cerca de él. No deje la plancha sin vigilancia mientras esté enchufada, encendida o sobre una tabla de planchar.
- Se pueden producir quemaduras por contacto con las partes de metal calientes, el agua caliente o el vapor. Tenga cuidado al invertir una plancha de vapor ya que puede quedar agua caliente en el reservorio.
- Si la plancha no funciona normalmente, desconéctela del tomacorriente y hágala revisar por un centro de servicio autorizado o llame a Servicio al Cliente al 1 (800) 458-8407.
- Su plancha SUNBEAM® está diseñada para apoyarse en el talón de apoyo. No deje la plancha sin vigilancia. No apoye la plancha sobre una superficie no protegida, aun cuando sea sobre el talón de apoyo.
- Este aparato funciona con alta potencia. Para evitar una sobrecarga del circuito no haga funcionar otro aparato de alta potencia en el mismo circuito.
- Si resulta absolutamente necesario usar un cable de extensión, se debe usar un cable de 15 amperios. Los cables con tensiones nominales menores pueden sobrecolectarse. Se debe cuidar de poner el cable de extensión de modo tal que no pueda ser arrancado o provocar tropiezos.

PARA PRODUCTOS COMPRADOS EN LOS EE.UU. Y CANADÁ

Para reducir el riesgo de choque eléctrico, este aparato tiene un enchufe polarizado (*una pata es más ancha que la otra*). Este enchufe calza en un tomacorriente polarizado sólo de una manera; si el enchufe no cabe totalmente en el tomacorriente, gire el enchufe. Si aun así no calza, consulte a un electricista calificado. No intente anular esta característica de seguridad.

GUARDE ESTAS INSTRUCCIONES

CONSEJOS PRÁCTICOS PARA PLANCHAR

- Antes de planchar, verifique la etiqueta de la prenda de vestir y siga las instrucciones del fabricante. Si no tiene instrucciones, comience con una graduación baja y pruébela planchando una porción pequeña. Aumente gradualmente la temperatura.
- Clasifique las prendas de acuerdo con el tipo de tela. Planché las prendas que requieran una graduación de temperatura baja y aumente paulatinamente el rango de temperatura.
- Cuando pase de una graduación de temperatura alta a una baja, espere 5 minutos para cambiar.
- Al planchar con vapor, aplique pasadas largas y lentas sobre la tela para permitir que el vapor penetre en el tejido y que el calor de la suela seque la humedad.
- Planché las prendas de lino por el revés para evitar sacarles brillo. Para disminuir el brillo puede usar un paño para planchar o una tela de algodón.
- Si la prenda tiene forro, use una graduación de temperatura baja.
- Cerciórese de que las cremalleras estén cerradas y que la solapa esté plana. Planché sobre la solapa, manteniendo estrada la prenda de vestir.
- Los aerosoles de almidón facilitan la tarea de planchado.

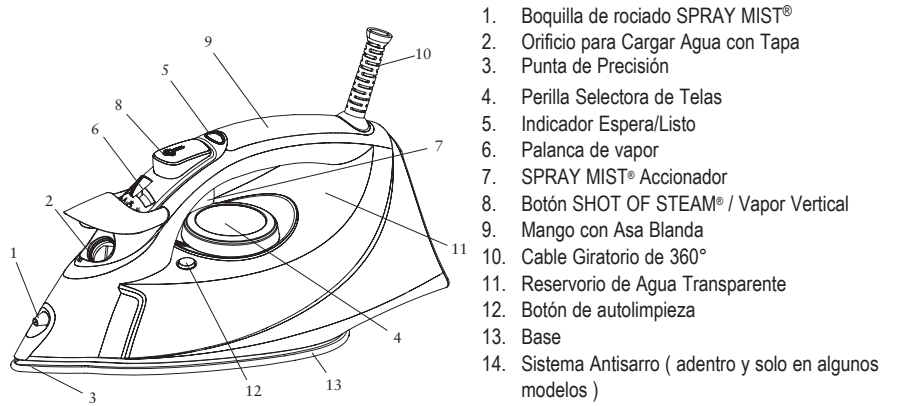
PLANCHADO DE CAMISAS

- Comience por el cuello y avance hacia el centro desde los bordes exteriores. Planché a lo largo, no en círculos.
- Coloque el hombro sobre el extremo más angosto de la tabla de planchar y planche uno de los lados del frente. A continuación, planche el hombro, la espalda (por debajo de la línea del cuello), el otro hombro y el otro lado del frente.
- Planché las mangas y los puños, avanzando desde las costuras de la sisa, hacia abajo. Para eliminar los pliegues, alterne la doble capa de tela de las mangas y planche.
- Planché el cuerpo de la prenda, comenzando por una mitad del frente, siguiendo por la espalda y terminando por la otra mitad del frente. Si la camisa no se abre, deslicela por el extremo de la tabla de planchar, planche la parte del frente y luego la de atrás.

PLANCHADO DE PANTALONES

- Comience por la cintura y el área de la entrepierna, y continúe por los bolsillos y las vueltas.
- Tome el pantalón por la cintura e introduzcao por el extremo angosto de la tabla, como si estuviera "visitando" la tabla de planchar. Planché la parte superior frontal de los pantalones, incluso la faja de la cintura.
- Coloque los pantalones en posición paralela a la tabla de planchar, a lo largo, de modo que ambas piernas queden en la misma dirección. Planché cada pierna deslizando la plancha hacia arriba y hacia abajo por la pierna del pantalón.
- Tome el ruedo de la pierna y páselo por encima de la faja de la cintura para planchar la parte interna de la pierna. Repita estos dos pasos para la otra pierna del pantalón.

CARACTERÍSTICAS DE SU PLANCHA SUNBEAM®



- Boquilla de rociado SPRAY MIST®
- Orificio para Cargar Agua con Tapa
- Punta de Precisión
- Perilla Selector de Telas
- Indicador/ Espera/Lista
- Palanca de vapor
- SPRAY MIST® Accionador
- Botón SHOT OF STEAM® / Vapor Vertical
- Mango con Asa Blanda
- Cable Giratorio de 360°
- Reservorio de Agua Transparente
- Botón de autolimpieza
- Base
- Sistema Antisarro (adentro y solo en algunos modelos)

PLANCHANDO EN SECO

- Asegúrese de que la palanca de vapor esté en la posición ☞(Seco).
- Enchufe el cable en un tomacorriente de 120 voltios CA. La luz roja indicadora de "Espera" se iluminará si la plancha no ha alcanzado la temperatura ajustada.
- Gire el Disco Selector de Tela al ajuste deseado. Permita que la plancha se caliente sobre su apoyo de descanso sobre una superficie estable y protegida, hasta que la luz indicadora de "Ready" cambie a verde indicando que la plancha está lista. La luz de encendido oscilará entre verde/roja una vez que se alcance la temperatura con el fin de mantener la temperatura ajustada.

NOTA: aunque la palanca de vapor esté en la posición ☞(Seco), podrá usar las funciones de chorro de vapor SHOT OF STEAM® o de rociado SPRAY MIST®, siempre que el dial de selección del tipo de tela esté ajustado a lana, algodón o lino. El depósito debe tener por lo menos ¼ de nivel de agua.

LLENADO DEL DEPÓSITO DE AGUA (*usar agua de la llave*)

- Mueva la palanca de vapor hacia la posición ICON (seco) y gire el dial de selección del tipo de tela a la posición de apagado. Cerciórese de que la plancha esté desenchufada.
- Levante la tapa del conducto para abastecimiento de agua. Use cualquier taza medidora con boquilla de vertido fácil para llenar el depósito con agua de la llave, a través del conducto para abastecimiento de agua. No llene el depósito de agua por encima del nivel de llenado máximo.
- Tape el Orificio de Llenado de Agua completamente después del llenado.

ADVERTENCIA: para prevenir el riesgo de quemaduras, tenga cuidado al llenar de agua una plancha caliente. Las piezas metálicas calientes, el agua caliente y el vapor pueden provocar lesiones.

PLANCHANDO AL VAPOR

- Siga las instrucciones para el "Llenado del Tanque de Agua".
- Llene el depósito de agua y enchufe el cable en un tomacorriente de 120 voltios CA.
- Gire la Palanca de Vapor a la posición deseada de salida de vapor. Utilice solamente la función de Vapor y/o Shot of Steam® al ajustar a telas de Lana, Algodón o Lino.
- Gire el Disco Selector de Tela al ajuste deseado. Permita que la plancha se caliente sobre su apoyo de descanso sobre una superficie estable y protegida, hasta que la luz indicadora de "Ready" cambie a verde indicando que la plancha está lista. La luz de encendido oscilará entre verde/roja una vez que se alcance la temperatura con el fin de mantener la temperatura ajustada.

LOCALIZACIÓN Y SOLUCIÓN DE FALLAS

PROBLEMA	CAUSA/SOLUCIÓN
La luz indicadora de "Red " está haciendo destellos	<ul style="list-style-type: none">La luz parpadea para indicar que se ha activado la función de apagado automático de la plancha. Para dejar de hacer destellos y reiniciar, mueva la plancha hacia atrás y hacia adelante y deje que vuelva a recalentarse hasta la luz indicadora de "Ready" ("Listo") se vuelva verde.
La plancha no se calienta	<ul style="list-style-type: none">Asegúrese que la plancha está encendida y la luz Indicadora de "Espera" o "Lista" esté iluminada. Verifique que la unidad esté enchufada. Ajuste el dial de selección del tipo de tela a la graduación correcta para su tipo de prenda. La luz de encendido oscilará entre verde/roja una vez que se alcance la temperatura con el fin de mantener la temperatura ajustada.
La plancha no produce vapor	<ul style="list-style-type: none">Cerciórese de que el depósito tenga por lo menos ¼ de nivel de agua. Cerciórese de que la palanca de vapor esté en la posición de encendido. Presione el botón de chorro de vapor Shot of Steam varias veces para cebar la válvula.
La plancha gotea	<ul style="list-style-type: none">Llene el depósito solamente hasta la marca de nivel MAX. Permita que se caliente por lo menos 2 minutos antes de usar y espere hasta que la luz indicadora de "Lista" se haya vuelto verde para indicar que está lista. Se ha presionado el botón de chorro de vapor Shot of Steam muy seguido. Use la función de chorro de vapor solamente en intervalos de 3 segundos o menos. La función de Vapor y/o Shot of Steam se ha usado con el ajuste de tela incorrecto. Úsela solamente con las graduaciones de lana, algodón o lino. Vacíe el tanque de agua después de cada uso y coloque la palanca de vapor en la posición de apagado.
Al planchar quedan manchas o vetas en la ropa	<ul style="list-style-type: none">Vacíe el depósito de agua por completo después de usar la plancha. Cuando se haya enfriado, limpie la suela con un paño húmedo. Use la función de limpieza automática una vez al mes. Consulte la sección del Sistema antisarro (solo en algunos modelos). Cerciórese de que el recipiente que use para llenar de agua la plancha esté limpio.
Las arrugas no se eliminan por completo	<ul style="list-style-type: none">Compruebe que el dial de temperatura esté en la graduación adecuada para el tipo de tela. Use las funciones de chorro de vapor Shot of Steam o de rociado Spray Mist para ayudar a eliminar las arrugas más difíciles.
Las telas adquieren un "brillo" no deseado	<ul style="list-style-type: none">Use un paño para planchar o una tela blanca de 100% algodón y colóquela entre la prenda que va a planchar y la plancha para evitar "sacarle brillo".

FUNCIONES ESPECIALES

LA FUNCIÓN SPRAY MIST® es un poderoso rocío de agua que humedece la tela para ayudar a eliminar arrugas en telas gruesas y a definir pliegues.

PARA USARLA: presione firmemente el Accionador de Spray Mist®.

LA FUNCIÓN SHOT OF STEAM® proporciona un chorro de vapor adicional que penetra profundamente en las arrugas más difíciles. Esta función puede usarse mientras planche al seco o con vapor, siempre que el dial de selección del tipo de tela esté ajustado a lana, algodón o lino. El depósito debe tener por lo menos ¼ de nivel de agua.

PARA USARLA: coloque la plancha sobre la arruga y presione el botón de Shot of Steam® siempre que necesite un chorro de vapor adicional. La función de chorro de vapor Shot of Steam® puede usarse continuamente en intervalos aproximados de 3 segundos.

LA FUNCIÓN VERTICAL SHOT OF STEAM® permite a la plancha funcionar verticalmente como las planchas de vapor.

CONSEJO ÚTIL: al usar la función de vapor vertical, cuelgue la prenda de vestir en una percha para obtener los mejores resultados. También se pueden vaporizar las cortinas colgadas.

PARA USARLA:

- Asegúrese que la plancha está caliente y la luz indicadora de Lista se vuelve verde.
- Sujete la plancha en posición vertical, cerca de la tela que desee vaporizar, pero sin tocarla. Hale la tela para estrarla.
- Presione el botón de chorro de vapor Shot of Steam® en intervalos de 3 segundos mientras mueve la plancha sobre las arrugas.

ADVERTENCIA: para evitar quemaduras, mantenga las manos alejadas del área que va a vaporizar.

ADVERTENCIA: NO vaporice prendas mientras las lleve puestas; esto podría ocasionar lesiones.

FUNCION DE APAGADO AUTOMÁTICO POR DETECCIÓN DE MOVIMIENTO EN TRES POSICIONES MOTION SMART®

Esta función apaga automáticamente la plancha si se deja en una posición demasiado tiempo para evitar accidentes.

SI DEJA LA PLANCHA ENCENDIDA:

- En posición horizontal sin moverla, o la vuelca accidentalmente, dejará de calentarse automáticamente después de 30 segundos. La luz se vuelve roja cuando el auto-apagado se activa y hace destellos.
- En posición vertical (sobre la base de apoyo) sin moverla, la plancha se apagará automáticamente después de 15 minutos. La luz se vuelve roja cuando el auto-apagado se activa y hace destellos.

IMPORTANTE: Cuando la función de auto-apagado se activa, la unidad sonará 6 veces y la luz roja de encendido hará destellos.

PARA RESTABLECER: Mueva la plancha hacia adelante y hacia atrás y caliente hasta que la luz indicadora de "Lista" se vuelva verde.

CUIDADO DE LA PLANCHA DESPUÉS DE USARLA

PARA APAGAR LA PLANCHA: mueva la palanca de vapor hacia la posición ☞ (Seco) y gire el dial de selección del tipo de tela a la posición de apagado. Desenchufe la plancha.

ADVERTENCIA: JAMÁS tire del cable de alimentación para desenchufar la plancha ya que esto puede dañar el cable. Vacíe el tanque de agua completamente después de cada uso.

ALMACENAMIENTO DE LA PLANCHA

- Apague la plancha, desenchufe y déjelo enfriar.
- Vacíe el depósito de agua por completo después de usar la plancha.
- Enróllelo sin apretarlo alrededor de la base de apoyo y guarde la plancha colocada sobre la base de apoyo. **IMPORTANTE:** enrollar fuertemente el cable alrededor de la plancha puede dañar el cable.

3 AÑOS DE GARANTÍA LIMITADA Y GARANTÍA LIMITADA DE POR VIDA DE LA BASE

Sunbeam Products, Inc. operando bajo el nombre de Jarden Consumer Solutions, o en Canadá, Sunbeam Corporation (Canada) Limited operando bajo el nombre de Jarden Consumer Solutions, (en forma conjunta, "JCS"), garantiza que por un período de tres años a partir de la fecha de compra, este producto estará libre de defectos de materiales y mano de obra. JCS garantiza que la base de la plancha estará libre de defectos de materiales y mano de obra de por vida de la plancha a partir de la fecha de compra. JCS, a su elección, reparará o reemplazará este producto o cualquier componente del mismo que presente defectos durante el período de garantía. El reemplazo se realizará por un producto o componente nuevo o reparado. Si el producto ya no estuviera disponible, se lo reemplazará por un producto similar de valor igual o superior. Ésta es su garantía exclusiva. NO intente reparar o ajustar ninguna función eléctrica o mecánica de este producto. Al hacerlo eliminará ésta garantía.

La garantía es válida para el comprador minorista original a partir de la fecha de compra inicial y la misma no es transferible. Conserve el recibo de compra original. Para solicitar servicio en garantía se requiere presentar un recibo de compra. Los agentes y centros de servicio de JCS o las tiendas minoristas que venden productos de JCS no tienen derecho a alterar, modificar ni cambiar de ningún otro modo los términos y las condiciones de esta garantía.

Esta garantía no cubre el desgaste normal de las piezas ni los daños que se produzcan como resultado de uso negligente o mal uso del producto, uso comercial, accidentes, uso de voltaje incorrecto o corriente inapropiada, uso contrario a las instrucciones operativas, desarme, reparación o alteración por parte de un tercero ajeno a JCS o a un Centro de Servicio autorizado por JCS. Asimismo, la garantía no cubre actos fortuitos tales como incendios, inundaciones, huracanes y tornados. La garantía de la base no cubre rayones o decoloración del acabado de la base y solo aplica mientras la plancha esté generando su temperatura óptima.

Cuál es el límite de responsabilidad de JCS?

JCS no será responsable de daños incidentales o emergentes causados por el incumplimiento de alguna garantía o condición expresa, implícita o legal.

Excepto en la medida en que lo prohíba la ley aplicable, cualquier garantía o condición implícita de comerciabilidad o aptitud para un fin determinado se limita, en cuanto a su duración, al plazo de la garantía antes mencionada.

JCS queda exenta de toda otra garantías, condiciones o manifestaciones, expresa, implícita, legal o de cualquier otra naturaleza.

JCS no será responsable de ningún tipo de daño que resulte de la compra, uso o mal uso del producto, o por la imposibilidad de usar el producto, incluidos los daños incidentales, especiales, emergentes o similares, o la pérdida de ganancias, ni de ningún incumplimiento contractual, sea de una obligación esencial o de otra naturaleza, ni de ningún reclamo iniciado contra el comprador por un tercero.

Algunas provincias, estados o jurisdicciones no permiten la exclusión o limitación de los daños incidentales o emergentes ni las limitaciones a la duración de las garantías implícitas, de modo que es posible que la exclusión o las limitaciones antes mencionadas no se apliquen en su caso.

Esta garantía le otorga derechos legales específicos y es posible que usted tenga otros derechos que varían de un estado, provincia o jurisdicción a otro.

Cómo solicitar el servicio en garantía

En los Estados Unidos

Si tiene alguna pregunta sobre esta garantía o desea recibir servicio de garantía, llame al 1.800.458.8407 y podrá obtener la dirección del centro de servicio que le resulte más conveniente.

En Canadá

Si tiene alguna pregunta sobre esta garantía o desea recibir servicio de garantía, llame al 1.800.667.8623 y podrá obtener la dirección del centro de servicio que le resulte más conveniente.

En los Estados Unidos, esta garantía es ofrecida por Sunbeam Products, Inc. operando bajo el nombre de Jarden Consumer Solutions, Boca Raton, Florida 33431. En Canadá, esta garantía es ofrecida por Sunbeam Corporation (Canada) Limited operando bajo el nombre de Jarden Consumer Solutions, 20 B Hereford Street, Brampton, Ontario L6Y 0M1. Si usted tiene otro problema o reclamo en conexión con este producto, por favor escriba al Departamento de Servicio al Consumidor.



POR FAVOR NO DEVUELVA ESTE PRODUCTO A NINGUNA DE ESTAS DIRECCIONES NI AL LUGAR DE COMPRA.

Si tiene preguntas sobre el producto visítenos en Internet en www.sunbeam.com o llame al 800-458-8407.

MANTENIMIENTO DE LA PLANCHA

Uso de la función de limpieza automática: use la función de limpieza automática una vez al mes para preservar el rendimiento óptimo de la plancha.

1. Apague la plancha y desenchufe.

2. Mueva la palanca/perilla de vapor hacia adelante y hacia atrás varias veces para eliminar los desechos y los residuos minerales de la válvula de vapor. Esto mantendrá el flujo de agua hacia la cámara de vapor.

3. Llene el depósito con agua de la llave hasta la línea "MAX".

4. Enchufe la plancha, ajuste el Selector del tipo de Tela hasta Lino y caliente hasta que la luz indicadora de "Lista" se vuelva verde.

5. Apague la plancha y desenchufe. Sujete la plancha en posición horizontal sobre un fregadero, oprima y mantenga presionado el botón de limpieza automática. El agua comenzará a gotear por las salidas de vapor. Agite la plancha lentamente de un lado a otro y hacia adelante y hacia atrás, durante 30 segundos. Incline levemente hacia abajo la punta de la plancha, de modo que quede más baja que la parte posterior, para que el agua circule. Suelte el botón de limpieza automática después de un minuto.

6. Abra la tapa del conducto para abastecimiento y vierta el agua restante. Cuidadosamente limpie la base con una toalla después que la plancha se haya enfriado.

7. Enchufe la plancha, ajuste el dial de selección del tipo de tela a Lino y deje que se caliente durante 2 minutos para que se seque por completo. Coloque el dial de seleccón del tipo de tela en la posición de apagado, desenchufe la plancha y deje que se enfríe.

LIMPIE DE LA BASE: Limpie la base después de cada 30 usos, o más frecuentemente si se usa almidón o comienza a acumularse residuos. Antes de limpiar, asegúrese que la plancha esté desenchufada y fría.

ADVERTENCIA: No la sumerja en líquidos. NI utilice limpiadores abrasivos ni esponjas al limpiar la base. Esto dañaría su acabado.

Tipo de Residuos	Limpieza Recomendada
Sucio Ligero	Use un paño de algodón o toalla de felpa para limpiar la base con agua tibia jabonosa.
Depósitos del Agua	Use un paño de algodón o toalla de felpa para limpiar la base con una mezcla de 50/50 de vinagre y agua.
Almidones Pesados o Residuos Fuertes	Utilice Limpiador para Planchas Calientes o Mr.Clean® Esponjas de limpiar Magic Eraser®. Consulte las instrucciones del fabricante de estos productos para limpiezas específicas. Mr. Clean® and Magic Eraser® son marcas registradas propiedad de la compañía Procter & Gamble.

SISTEMA ANTISARRO (*solo en algunos modelos*)

El antisarro es un sistema permanente localizado en el interior del depósito de agua, que elimina las impurezas.

Para prolongar la eficiencia de la unidad, siga estos pasos una vez al mes o después de cada 30 usos:

- Apague la plancha.
- Agregue 1 cucharadita de sal en ¼ de taza de agua y llene el depósito de agua con la solución.
- Déjela reposar en el depósito durante 15 minutos, ágítela ocasionalmente y a continuación vacíe el depósito a través del conducto de abastecimiento o mediante el "método de limpieza".
- Llene nuevamente el depósito de agua con una solución de agua salina, ágítela y deséchela después de 15 minutos.
- Llene el depósito con agua limpia para enjuagarlo y vacíe el depósito.