

IMPORTANT SAFEGUARDS

When using electrical appliances, basic safety precautions should always be followed including the following:

READ ALL INSTRUCTIONS BEFORE USE

- Use iron only for its intended use.
- To protect against risk of electric shock, do not immerse the iron in water or other liquids.
- The Fabric Select Dial and Steam Lever should always be turned to OFF before plugging or unplugging from outlet. Never yank cord to disconnect from outlet; instead, grasp plug and pull to disconnect.
- Do not allow cord to touch hot surfaces. Let iron cool completely before storing. Loop cord loosely around iron when storing.
- Always disconnect iron from electrical outlet when filling with water, cleaning, emptying or when not in use.
- Do not operate iron with a damaged cord or if the iron has been dropped or damaged. To avoid the risk of electric shock, do not disassemble the iron. Take it to an authorized service center for examination and/or repair. Incorrect reassembly can cause a risk of electric shock when iron is used.
- Close supervision is necessary for any appliance being used by or near children. Do not leave iron unattended while plugged in, turned on or on an ironing board.
- Burns can occur from contact with hot metal parts, hot water or steam. Use caution when you turn a steam iron upside down – there may be hot water in the reservoir.
- If the iron is not operating normally, disconnect from the power supply and have the iron serviced by an authorized service center or call Customer Service at 1 (800) 458-8407.
- Your SUNBEAM® iron is designed to rest on the heel rest. Do not leave the iron unattended. Do not set the iron on an unprotected surface, even if it is on the heel rest.
- This is a high wattage appliance. To avoid a circuit overload, do not operate another high wattage appliance on the same circuit.
- If an extension cord is absolutely necessary, a 15-ampere cord should be used. Cords rated for less amperage may overheat. Care should be taken to arrange the extension cord so that it cannot be pulled or tripped over.

For Products Purchased in the United States and Canada

To reduce the risk of electrical shock, this appliance has a polarized plug (*one blade is wider than the other*). This plug fits a polarized outlet only one way; if the plug does not fit fully into the outlet, reverse the plug. If it still does not fit, contact a qualified electrician. Do not attempt to defeat this safety feature.

SAVE THESE INSTRUCTIONS

MAINTAINING YOUR IRON

CLEANING SOLEPLATE: Clean with an all-cotton cloth if starch or other residues accumulate after iron is unplugged and cool.

WARNING: Do not immerse in liquids or use abrasive cleansers, scouring pads or vinegar to clean the soleplate. This will damage the finish.

USING SELF-CLEAN FEATURE: Use the Self-Clean feature once a month to maintain optimal iron performance.

- Turn off iron.
- Move Steam Lever/Knob back and forth to remove debris and minerals from Steam Valve. This keeps water flowing into the steam chamber.
- Fill water reservoir with tap water to MAX line.
- Plug in iron, set Fabric Select Dial to Linen and heat for 2 minutes.
- Unplug iron. Holding iron over a sink in a horizontal position, press Self-Clean Button (or depending on your model, rotate the steam control knob to the clean setting) and hold. Water will begin dripping from the steam vents. Slowly rock iron side to side and front to back for 30 seconds. Dip nose of the iron slightly below the rear to circulate water. Release Self-Clean Button after one minute.
- Open fill cap and empty remaining water. Carefully dry soleplate with a towel.
- Plug in iron and set Fabric Select Dial to Linen and Heat for 2 minutes to dry out completely. Set Fabric Select Dial to Off, unplug the iron, and allow to cool.

ANTI-CALCIUM SYSTEM *(select models only)*

Anti-calcium is a permanent system located inside the water reservoir to eliminate impurities. To PROLONG EFFICIENCY, FOLLOW THESE STEPS ONCE A MONTH OR After Every 30 Uses:

- Turn off iron.
- Add 1 teaspoon of salt to ¼ cup water and fill water reservoir with this solution.
- Leave solution in water reservoir for 15 minutes, shake occasionally, and then empty through the fill hole or through the "clean method".
- Fill water reservoir again with salt water solution, shake and empty after 15 minutes.
- Fill water reservoir with fresh water to rinse and empty.

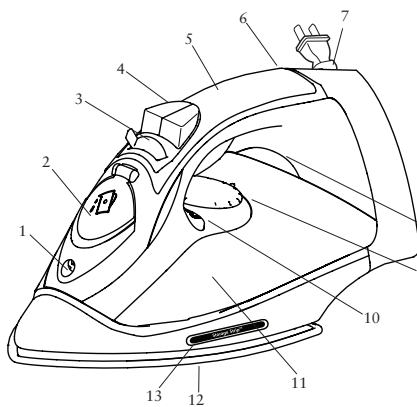
IRONING TIPS

- Before ironing, check the garment label and follow manufacturer's instructions. If no instructions, start with a low-heat setting and test by ironing a small area, and gradually increase heat.
- Sort garments by fabric type. Iron articles requiring a low-temperature setting and gradually work up the temperature range.
- When changing from a high-temperature setting to a lower one, allow 5 minutes for change.
- When steam ironing, use long, slow passes over the fabric to allow the steam to penetrate the fabric and the heat of the soleplate to dry the moisture.
- Iron linen garments inside out to prevent shine. An ironing cloth or cotton fabric can be used to reduce shine.
- If the garment is lined, use a low heat setting.
- Ensure zippers are closed and flap is flat. Iron over the flap, holding the garment taut.
- Spray starch makes the job easier.

IRONING SHIRTS

- Begin with the collar and work toward the middle from the outer edges. Iron lengthwise, not in circles.
- Lay shoulder over narrow edge of the board and iron one side of the front. Then iron the shoulder, across the back (below the collar line), the other shoulder and the remainder of the front.
- Iron sleeves and cuffs, working down from the underarm seams. To remove creases, shift the double layer of sleeve fabric and iron out.
- Iron body of garment, from half of the front around the back, then second half of front. If your shirt does not open, slip over end of ironing board and iron front and back in turn.

FEATURES



- SPRAY MIST® Nozzle
- Water Fill Hole
- Steam Lever/ Knob
- SHOT OF STEAM® and SPRAY MIST® Buttons
- Reset Button/Light (select models only)
- Handle
- Retractable Cord (select models only)
- Power Indicator Light (Location may vary by model)
- Fabric Select Dial
- Self Clean Button*
- See-Through Water Reservoir/ Maximum Fill Line
- Soleplate
- Storage Strip® Indicator (select models only)

NOTE: The model shown in the manual is for reference only. Your model may differ slightly

* Some self clean buttons are integrated into the steam control knob, if not located on the tank as shown.

FILLING WATER RESERVOIR *(use tap water)*

- Turn Steam Lever to ☞ (Dry) and Fabric Select Dial to Off. Unplug.
- Lift the Water Fill Hole Cover. Use any easy-pour measuring cup to fill the water reservoir with tap water through the water fill hole. Do not fill water reservoir beyond maximum fill line.

WARNING: To prevent the risk of burns, be careful when filling a hot iron with water. Hot metal parts, hot water and steam can cause injuries.

DRY IRONING

- Ensure Steam Lever is turned to the ☞ (Dry) setting.
- Plug the cord into a 120-Volt AC outlet.
- Turn Fabric Select Dial to desired setting. Allow iron to heat for 2 minutes on its heel rest on a stable, protected surface.

NOTE: While Steam Lever is turned to the ☞ (Dry) setting, you may still use the SHOT OF STEAM® or SPRAY MIST® features, as long as the Fabric Select Dial is set to wool, cotton, or linen. Water reservoir must be at least ¼ full of water.

STEAM IRONING

- Fill Water Reservoir and plug the cord into a 120-Volt AC outlet.
- Turn the Fabric Select Dial to desired setting. Allow the iron to heat for 2 minutes on its heel rest on a stable, protected surface. Turn steam control to desired setting.

IMPORTANT: When not ironing, always set the Steam Lever to ☞ (Dry) and the Fabric Select Dial to OFF.

SPECIAL FEATURES

SPRAY MIST® FEATURE is a powerful water spray mist that dampens the fabric to aid in removing wrinkles from heavy fabrics and for setting creases.

TO USE: Press the Spray Mist button firmly.

SHOT OF STEAM® FEATURE provides an extra burst of steam for deep penetration of stubborn wrinkles. You can use this feature while Dry or Steam ironing as long as the Fabric Select Dial is set to wool, cotton, or linen. The water reservoir must be at least ¼ full of water.

TO USE: Place the iron on top of the wrinkle and press the Shot of Steam® button each time you would like an extra burst of steam. The Shot of Steam® feature may be used continuously in approximately 3-second intervals.

IRONING TIPS *(continued)*

IRONING PANTS

- Begin with the waistband and inseam area, then pockets and cuffs.
- Pull waistband on pointy end of the board, as if you're "dressing" the ironing board. Iron upper-front part of the pants, including the waistband.
- Place pants parallel to ironing board lengthwise so both legs are facing the same direction. Iron each leg by moving the iron back and forth along the pant leg.
- Take cuff of the leg and bring it over towards the waistband to iron the inner part of the leg. Repeat these 2 steps for the second leg.

TROUBLE SHOOTING

PROBLEM	CAUSE/SOLUTION
Power indicator is blinking	<ul style="list-style-type: none">The light blinks to indicate that the iron auto-off function has been activatedIf your iron has a reset button, press it to restartTo stop blinking and reset, move the iron back and forth and allow to re-heat for 2 minutes
Iron is not heating	<ul style="list-style-type: none">Ensure the iron is on and power light is illuminatedVerify unit is plugged inAdjust fabric dial to the correct setting for your garments
Iron will not steam	<ul style="list-style-type: none">Ensure water tank level is at least ¼ fullEnsure steam lever is switched onPress Shot of Steam button several times to prime
Iron is leaking	<ul style="list-style-type: none">Only fill with water to the MAX levelAllow to heat for at least 2 minutes before useShot of Steam has been pressed too frequently. Only use shot of steam in 3 second intervals or lessShot of Steam used with incorrect fabric setting. Only use with Wool, Cotton or Linen settingsEmpty water tank after each use and turn steam lever off
Iron leaves spots/flakes on clothing	<ul style="list-style-type: none">Empty water tank completely after each useClean soleplate when cool with a wet, damp clothUse self-cleaning feature once a monthRefer to the Anti-Calcium System section (select models only)Ensure water cup used to fill the iron is clean
Wrinkles are not sufficiently removed	<ul style="list-style-type: none">Check that the temperature dial is set to the correct fabric settingUse Shot of Steam or Spray Mist features to help remove stubborn wrinkles
Fabrics are getting an unwanted "shine"	<ul style="list-style-type: none">Use an ironing cloth or a 100% white cotton fabric and place it between the garment being ironed and the iron to prevent "shine"

SPECIAL FEATURES *(continued)*

VERTICAL STEAM allows iron to function as a garment steamer.

TIP: When using vertical steam, hang clothing on a hanger for best results. Hanging curtains and drapes may also be steamed.

TO USE:

- Hold iron vertically near, but not touching the fabric you want to steam. Pull the fabric tight.
- Press Shot of Steam® button in 3-second intervals as you move iron over wrinkles.

WARNING: To prevent burns, keep hands away from the area being steamed.

WARNING: DO NOT steam garments while wearing them; this may result in injuries.

TIMED AUTO-OFF FEATURE *(select models only)*

IF YOU LEAVE IRON ON: Timed auto-off will automatically turn unit off after 30 minutes.

IMPORTANT: Once timed auto-off activates, power light blinks to indicate it is in auto-off mode.

TO RESET: Press reset button, if available, otherwise unplug and plug and back in.

WARNING: Auto-Off is a safety feature and is not a recommended means for turning iron off.

RETRACTABLE CORD *(select models only)*

- Select amount of cord desired before plugging into an electrical outlet. Do not pull cord past red indicator.
- To retract cord, press retraction button.
- If cord is not fully rewound, pull out and steer cord evenly on the reel. If cord is not pulled out easily, pull cord firmly.
- Do not allow children to use retractable cord feature as cord may cause injury.

STORAGE STRIP INDICATOR *(select models only)*

Indicates when the iron is cool enough to store.

Red = Iron is too hot to store.

Black = Iron is cool enough to store.

CAUTION: STORAGE STRIP indicator should only be used as a guideline. Iron should always be handled and stored with care.

CARING FOR YOUR IRON AFTER USE

TURNING OFF IRON: Turn Steam Lever to ☞ (Dry) and Fabric Select Dial to Off. Unplug.

WARNING: NEVER yank power cord when unplugging iron. This can damage the cord.

Empty water tank completely after each use.

STORING YOUR IRON

- Turn off iron and allow to cool.
- Empty water reservoir after each use for a longer iron life.
- If your iron does not have a retractable cord, loosely loop the power cord around the heel rest and store the iron on its heel rest. **IMPORTANT:** Wrapping the cord around the iron too tightly can damage the cord.

1 YEAR LIMITED WARRANTY

Sunbeam Products, Inc. doing business as Jarden Consumer Solutions or if in Canada, Sunbeam Corporation (Canada) Limited doing business as Jarden Consumer Solutions (collectively "JCS") warrants that for a period of one year from the date of purchase, this product will be free from defects in material and workmanship. JCS, at its option, will repair or replace this product or any component of the product found to be defective during the warranty period. Replacement will be made with a new or remanufactured product or component. If the product is no longer available, replacement may be made with a similar product of equal or greater value. This is your exclusive warranty. DO NOT attempt to repair or adjust any electrical or mechanical functions on this product. Doing so will void this warranty.

This warranty is valid for the original retail purchaser from the date of initial retail purchase and is not transferable. Keep the original sales receipt. Proof of purchase is required to obtain warranty performance. JCS dealers, service centers, or retail stores selling JCS products do not have the right to alter, modify or any way change the terms and conditions of this warranty.

This warranty does not cover normal wear of parts or damage resulting from any of the following: negligent use or misuse of the product, use on improper voltage or current, use contrary to the operating instructions, disassembly, repair or alteration by anyone other than JCS or an authorized JCS service center. Further, the warranty does not cover: Acts of God, such as fire, flood, hurricanes and tornadoes.

What are the limits on JCS's Liability?

JCS shall not be liable for any incidental or consequential damages caused by the breach of any express, implied or statutory warranty or condition.

Except to the extent prohibited by applicable law, any implied warranty or condition of merchantability or fitness for a particular purpose is limited in duration to the duration of the above warranty.

JCS disclaims all other warranties, conditions or representations, express, implied, statutory or otherwise.

JCS shall not be liable for any damages of any kind resulting from the purchase, use or misuse of, or inability to use the product including incidental, special, consequential or similar damages or loss of profits, or for any breach of contract, fundamental or otherwise, or for any claim brought against purchaser by any other party.

Some provinces, states or jurisdictions do not allow the exclusion or limitation of incidental or consequential damages or limitations on how long an implied warranty lasts, so the above limitations or exclusion may not apply to you.

This warranty gives you specific legal rights, and you may also have other rights that vary from province to province, state to state or jurisdiction to jurisdiction.

How to Obtain Warranty Service

In the U.S.A.

If you have any question regarding this warranty or would like to obtain warranty service, please call 1.800.458.8407 and a convenient service center address will be provided to you.

In Canada

If you have any question regarding this warranty or would like to obtain warranty service, please call 1.800.667.8623 and a convenient service center address will be provided to you.

In the U.S.A., this warranty is offered by Sunbeam Products, Inc. doing business as Jarden Consumer Solutions located in Boca Raton, Florida 33431. In Canada, this warranty is offered by Sunbeam Corporation (Canada) Limited doing business as Jarden Consumer Solutions, located at 20 B Hereford Street, Brampton, Ontario L6Y 0M1. If you have any other problem or claim in connection with this product, please write our Consumer Service Department.

STOP PLEASE DO NOT RETURN THIS PRODUCT TO ANY OF THESE ADDRESSES OR TO THE PLACE OF PURCHASE.

For product questions visit us online at www.sunbeam.com or call 800-458-8407.

Visite www.sunbeam.com para una Guía de Planchado y Sugencias de Planchado

Visit www.sunbeam.com for an Ironing Guide and Ironing Tips

©2012 Sunbeam Products, Inc. operando bajo el nombre de Jarden Consumer Solutions, Boca Raton, Florida 33431.

© 2012 Sunbeam Products, Inc. operando bajo el nombre de Jarden Consumer Solutions, Boca Raton, Florida 33431. Todos los derechos reservados. Distribuido por Sunbeam Products, Inc. operando bajo el nombre de Jarden Consumer Solutions, Boca Raton, Florida 33431.

Canada: 1.800.667.8623

EE.UU.: 1.800.458.8407

Para preguntas sobre los productos llame:

© 2012 Sunbeam Products, Inc. doing business as Jarden Consumer Solutions, Boca Raton, Florida 33431. All rights reserved. Distributed by Sunbeam Products, Inc. doing business as Jarden Consumer Solutions, Boca Raton, Florida 33431.

Canada: 1.800.667.8623

USA: 1.800.458.8407

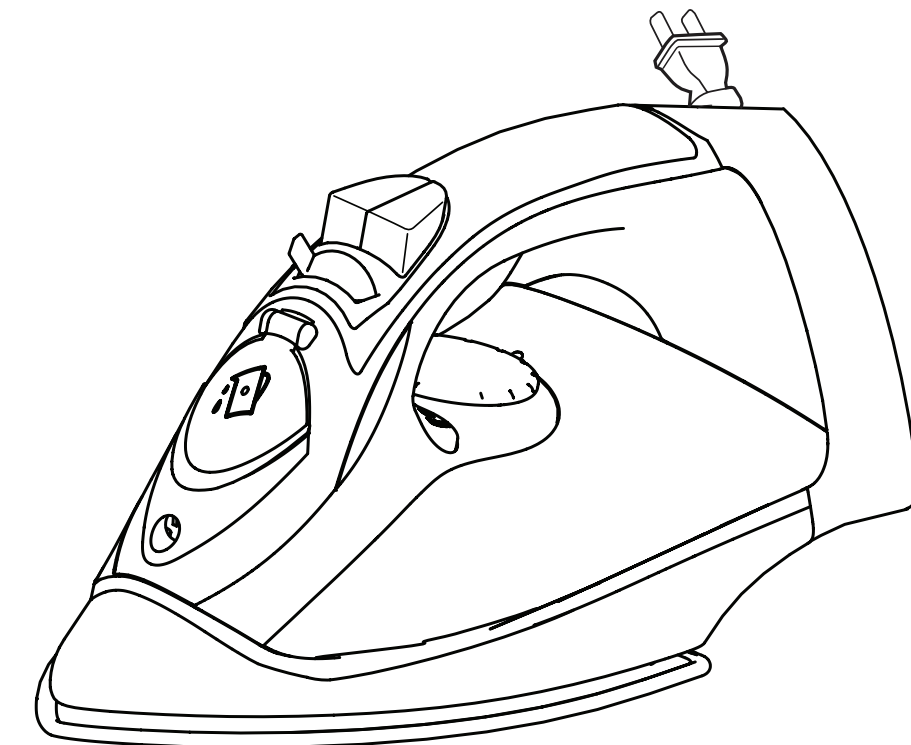
Sunbeam Consumer Service

For product questions:

Sunbeam®

Sunbeam®

Instruction Manual **Sunbeam® Irons**
Manual de Instrucciones **Planchas Sunbeam®**



Series 1
Serie 1

PRECAUCIONES IMPORTANTES

Cuando use algún aparato eléctrico siempre deben seguirse precauciones básicas de seguridad incluyendo las siguientes:

LEA TODAS LAS INSTRUCCIONES ANTES DE USAR

- Use la plancha únicamente para el uso al que está destinada.
- Para protegerse contra el riesgo de un choque eléctrico, no sumerja la plancha en agua ni en otros líquidos.
- El dial de selección del tipo de tela y la palanca de vapor siempre deben estar apagadas "OFF" antes de enchufar o desenchufar la plancha del tomacorriente. Nunca tire del cable para desconectarla del tomacorriente, sujete el enchufe y tire de él para desconectarla.
- No permita que el cable toque superficies calientes. Deje enfriar la plancha por completo antes de guardarla. Envuelva el cable flojamente alrededor de la plancha para guardarla.
- Desconecte siempre la plancha del tomacorriente eléctrico cuando esté llenándolo con agua, limpiándolo o vaciándolo y cuando no la esté usando.
- No haga funcionar la plancha si el cable está dañado o si la plancha se ha caído o dañado. Para evitar el riesgo de choque eléctrico, no desarme la plancha. Llévela a un centro de servicio autorizado para que la examinen y/o reparen. El rearmado incorrecto puede provocar el riesgo de un choque eléctrico al usar la plancha.
- Es necesario vigilar cuidadosamente a los niños cuando usen cualquier aparato o se encuentren cerca de él. No deje la plancha sin vigilancia mientras esté enchufada, encendida o sobre una tabla de planchar.
- Se pueden producir quemaduras por contacto con las partes de metal calientes, el agua caliente o el vapor. Tenga cuidado al invertir una plancha de vapor ya que puede quedar agua caliente en el reservorio.
- Si la plancha no funciona normalmente, desconéctela del tomacorriente y hágala revisar por un centro de servicio autorizado o llame a Servicio al Cliente al 1 (800) 458-8407.
- Su plancha SUNBEAM® está diseñada para apoyarse en el talón de apoyo. No deje la plancha sin vigilancia. No apoye la plancha sobre una superficie no protegida, aun cuando sea sobre el talón de apoyo.
- Este aparato funciona con alta potencia. Para evitar una sobrecarga del circuito no haga funcionar otro aparato de alta potencia en el mismo circuito.
- Si resulta absolutamente necesario usar un cable de extensión, se debe usar un cable de 15 amperios. Los cables con tensiones nominales menores pueden sobrecalentarse. Se debe cuidar de poner el cable de extensión de modo tal que no pueda ser arrancado o provocar tropezos.

Para Productos Comprados en los EE.UU. y Canadá

Para reducir el riesgo de choque eléctrico, este aparato tiene un enchufe polarizado (*una pata es más ancha que la otra*). Este enchufe calza en un tomacorriente polarizado sólo de una manera; si el enchufe no cabe totalmente en el tomacorriente, gire el enchufe. Si aun así no calza, consulte a un electricista calificado. No intente anular esta característica de seguridad.

GUARDE ESTAS INSTRUCCIONES

CONSEJOS PRÁCTICOS PARA PLANCHAR

- Antes de planchar, verifique la etiqueta de la prenda de vestir y siga las instrucciones del fabricante. Si no tiene instrucciones, comience con una graduación baja y pruébelá planchando una porción pequeña. Aumente gradualmente la temperatura.
- Clasifique las prendas de acuerdo con el tipo de tela. Planche las prendas que requieran una graduación de temperatura baja y aumente paulatinamente el rango de temperatura.
- Cuando pase de una graduación de temperatura alta a una baja, espere 5 minutos para cambiar.
- Al planchar con vapor, aplique pasadas largas y lentas sobre la tela para permitir que el vapor penetre en el tejido y que el calor de la suela seque la humedad.
- Planche las prendas de lino por el revés para evitar sacarles brillo. Para disminuir el brillo puede usar un paño para planchar o una tela de algodón.
- Si la prenda tiene forro, use una graduación de temperatura baja.
- Cerciórese de que las cremalleras estén cerradas y que la solapa esté plana. Planche sobre la solapa, manteniendo estirada la prenda de vestir.
- Los aerosoles de almidón facilitan la tarea de planchado.

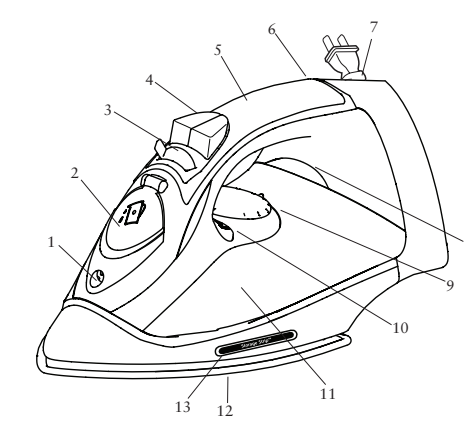
PLANCHADO DE CAMISAS

- Comience por el cuello y avance hacia el centro desde los bordes exteriores. Plancha a lo largo, no en círculos.
- Coloque el hombro sobre el extremo más angosto de la tabla de planchar y planche uno de los lados del frente. A continuación, planche el hombro, la espalda (por debajo de la línea del cuello), el otro hombro y el otro lado del frente.
- Plancha las mangas y los puños, avanzando desde las costuras de la sisa, hacia abajo. Para eliminar los pliegues, alterne la doble capa de tela de las mangas y planche.
- Plancha el cuerpo de la prenda, comenzando por una mitad del frente, siguiendo por la espalda y terminando por la otra mitad del frente. Si la camisa no se abre, deslícela por el extremo de la tabla de planchar, planche la parte del frente y luego la de atrás.

PLANCHADO DE PANTALONES

- Comience por la cintura y el área de la entrepierna, y continúe por los bolsillos y las vueltas.
- Tome el pantalón por la cintura e introdúzcalo por el extremo angosto de la tabla, como si estuviera "vistiendo" la tabla de planchar. Plancha la parte superior frontal de los pantalones, incluso la faja de la cintura.
- Coloque los pantalones en posición paralela a la tabla de planchar, a lo largo, de modo que ambas piernas queden en la misma dirección. Plancha cada pierna deslizando la plancha hacia arriba y hacia abajo por la pierna del pantalón.
- Tome el ruedo de la pierna y páselo por encima de la faja de la cintura para planchar la parte interna de la pierna. Repita estos dos pasos para la otra pierna del pantalón.

CARACTERÍSTICAS DE SU PLANCHA SUNBEAM® (FIG. 1)



- Boquilla de rociado SPRAY MIST®
- Conducto para abastecimiento de agua
- Palanca / Perilla de vapor
- Botones de chorro de vapor SHOT OF STEAM® y de rociado SPRAY MIST®
- Botón de restablecimiento/luz (solo en algunos modelos)
- Asa
- Cable retráctil (solo en algunos modelos)
- Luz indicadora de encendido (la ubicación varía según el modelo)
- Dial de selección del tipo de tela
- Botón de limpieza automática*
- Depósito de agua translúcido / Nivel de llenado máximo
- Suela
- Banda indicadora para almacenar Storage Strip® (solo en algunos modelos)

NOTA: el modelo que se muestra en el manual es solo para referencia. Es posible que el modelo que usted adquiera sea ligeramente distinto.

*Algunos botones de limpieza automática están integrados en la perilla de control del vapor, si no se encuentran en el depósito según la ilustración.

LLENADO DEL DEPÓSITO DE AGUA *(usar agua de la llave)*

- Mueva la palanca de vapor hacia la posición **ICON** (seco) y gire el dial de selección del tipo de tela a la posición de apagado. Cerciórese de que la plancha esté desenchufada.
- Levante la tapa del conducto para abastecimiento de agua. Use cualquier taza medidora con boquilla de vertido fácil para llenar el depósito con agua de la llave, a través del conducto para abastecimiento de agua. No llene el depósito de agua por encima del nivel de llenado máximo.

ADVERTENCIA: para prevenir el riesgo de quemaduras, tenga cuidado al llenar de agua una plancha caliente. Las piezas metálicas calientes, el agua caliente y el vapor pueden provocar lesiones.

PLANCHANDO EN SECO

- Asegúrese de que la palanca de vapor esté en la posición **☞**(Seco).
- Enchufe el cable en un tomacorriente de 120 voltios CA.
- Gire el dial de selección del tipo de tela al ajuste deseado. Deje que la plancha se caliente durante 2 minutos, colocada sobre la base de apoyo, en una superficie estable y protegida.

NOTA: aunque la palanca de vapor esté en la posición **☞**(Seco), podrá usar las funciones de chorro de vapor SHOT OF STEAM® o de rociado SPRAY MIST®, siempre que el dial de selección del tipo de tela esté ajustado a lana, algodón o lino. El depósito debe tener por lo menos ¼ de nivel de agua.

PLANCHANDO AL VAPOR

- Llene el depósito de agua y enchufe el cable en un tomacorriente de 120 voltios CA.
- Gire el dial de selección del tipo de tela al ajuste deseado. Deje que la plancha se caliente durante 2 minutos, colocada sobre la base de apoyo, en una superficie estable y protegida. Coloque la palanca de vapor en la posición deseada.

IMPORTANTE: cuando no esté planchando, coloque la palanca de vapor en la posición **☞** (Seco) y el dial de selección del tipo de tela en la posición de apagado.

FUNCIONES ESPECIALES

LA FUNCIÓN SPRAY MIST™ es un poderoso rocío de agua que humedece la tela para ayudar a eliminar arrugas en telas gruesas y a definir pliegues.

PARA USARLA: presione firmemente el botón de Spray Mist®.

LA FUNCIÓN SHOT OF STEAM™ proporciona un chorro de vapor adicional que penetra profundamente en las arrugas más difíciles. Esta función puede usarse mientras planche al seco o con vapor, siempre que el dial de selección del tipo de tela esté ajustado a lana, algodón o lino. El depósito debe tener por lo menos ¼ de nivel de agua.

PARA USARLA: coloque la plancha sobre la arruga y presione el botón de Shot of Steam™ siempre que necesite un chorro de vapor adicional. La función de chorro de vapor Shot of Steam® puede usarse continuamente en intervalos aproximados de 3 segundos.

LA FUNCIÓN DE VAPOR VERTICAL permite que la plancha funcione como un vaporizador de prendas de vestir.

CONSEJO ÚTIL: al usar la función de vapor vertical, cuelgue la prenda de vestir en una percha para obtener los mejores resultados. También se pueden vaporizar las cortinas colgadas.

PARA USARLA:

- Sujete la plancha en posición vertical, cerca de la tela que desee vaporizar, pero sin tocarla. Hale la tela para estirla.
- Presione el botón de chorro de vapor Shot of Steam® en intervalos de 3 segundos mientras mueve la plancha sobre las arrugas.

ADVERTENCIA: para evitar quemaduras, mantenga las manos alejadas del área que va a vaporizar.

ADVERTENCIA: NO vaporice prendas mientras las lleve puestas; esto podría ocasionar lesiones.

FUNCIÓN DE APAGADO AUTOMÁTICO POR TIEMPO *(solo en algunos modelos)*

SI DEJA LA PLANCHA ENCENDIDA: la función de apagado automático por tiempo apagará automáticamente la plancha después de 30 minutos.

IMPORTANTE: cuando la función de apagado automático por tiempo se activa, la luz de encendido parpadea para indicar que está en el modo de apagado automático.

PARA RESTABLECER: presione el botón de restablecimiento, si lo tiene; de lo contrario, desenchufe la plancha y vuélvala a enchufar.

ADVERTENCIA: el apagado automático es una función de seguridad y no se recomienda usarla como método para apagar la plancha.

CABLE RETRÁCTIL *(solo en algunos modelos)*

- Elija la cantidad de cable que necesite antes de enchufarlo en un tomacorriente. No hale el cable más allá de la marca roja.
- Para retraer el cable, presione el botón de retracción.
- Si el cable no se rebobina por completo, hágelo y guíelo uniformemente dentro del carrete. Si no puede halar el cable fácilmente, hágelo firmemente.

BANDA INDICADORA PARA ALMACENAR STORAGE STRIP® *(solo en algunos modelos)*

Indica si la plancha se ha enfriado lo suficiente para guardarla.

Rojo = la plancha está demasiado caliente para guardarla.

Negro = la plancha se ha enfriado lo suficiente para guardarla.

PRECAUCIÓN: la banda indicadora para almacenar STORAGE STRIP® debe usarse únicamente como referencia. La plancha debe manipularse y almacenarse siempre con cuidado.

LOCALIZACIÓN Y SOLUCIÓN DE FALLAS *(continuación)*

Al planchar quedan manchas o vetas en la ropa	<ul style="list-style-type: none">Vacíe el depósito de agua por completo después de usar la plancha Cuando se haya enfriado, limpie la suela con un paño húmedo Use la función de limpieza automática una vez al mes Consulte la sección del Sistema antisarro (solo en algunos modelos) Cerciórese de que el recipiente que use para llenar de agua la plancha esté limpio
Las arrugas no se eliminan por completo	<ul style="list-style-type: none">Compruebe que el dial de temperatura esté en la graduación adecuada para el tipo de tela Use las funciones de chorro de vapor Shot of Steam o de rociado Spray Mist para ayudar a eliminar las arrugas más difíciles
Las telas adquieren un "brillo" no deseado	<ul style="list-style-type: none">Use un paño para planchar o una tela blanca de 100% algodón y colóquela entre la prenda que va a planchar y la plancha para evitar "sacarle brillo"

CUIDADO DE LA PLANCHA DESPUÉS DE USARLA

PARA APAGAR LA PLANCHA: mueva la palanca de vapor hacia la posición **☞** (Seco) y gire el dial de selección del tipo de tela a la posición de apagado. Desenchufe la plancha.

ADVERTENCIA: JAMÁS tire del cable de alimentación para desenchufar la plancha ya que esto puede dañar el cable. Vacíe el depósito de agua por completo después de usar la plancha.

ALMACENAMIENTO DE LA PLANCHA

- Apague la plancha y deje que se enfrie.
- Vacíe el depósito de agua después de cada uso para prolongar la vida de la plancha.
- Si su plancha no tiene un cable retráctil, enróllelo sin apretarlo alrededor de la base de apoyo y guarde la plancha colocada sobre la base de apoyo. **IMPORTANTE:** enrollar fuertemente el cable alrededor de la plancha puede dañar el cable.

MANTENIMIENTO DE LA PLANCHA

LIMPIEZA DE LA SUELA: límpiela con un paño de algodón si observa acumulación de almidón u otros residuos después de desenchufar la plancha y de que se haya enfriado.

ADVERTENCIA: no la remoje en líquidos ni use limpiadores abrasivos, estropajos ni vinagre para limpiar la suela, ya que esto puede dañar el acabado.

Uso de la función de limpieza automática: use la función de limpieza automática una vez al mes para preservar el rendimiento óptimo de la plancha.

- Apague la plancha.
- Mueva la palanca/perilla de vapor hacia adelante y hacia atrás varias veces para eliminar los desechos y los residuos minerales de la válvula de vapor. Esto mantendrá el flujo de agua hacia la cámara de vapor.
- Llene el depósito con agua de la llave hasta la línea "MAX".
- Enchufe la plancha, ajuste el dial de selección del tipo de tela a Lino y deje que se caliente durante 2 minutos.
- Desenchufe la plancha. Sujete la plancha en posición horizontal sobre un fregadero, oprima y mantenga presionado el botón de limpieza automática (o, dependiendo del modelo, gire la perilla de control de vapor al ajuste de limpieza). El agua comenzará a gotear por las salidas de vapor. Agite la plancha lentamente de un lado a otro y hacia adelante y hacia atrás, durante 30 segundos. Incline levemente hacia abajo la punta de la plancha, de modo que quede más baja que la parte posterior, para que el agua circule. Suelte el botón de limpieza automática después de un minuto.
- Abra la tapa del conducto para abastecimiento y vierta el agua restante. Seque cuidadosamente la suela con una toalla.
- Enchufe la plancha, ajuste el dial de selección del tipo de tela a Lino y deje que se caliente durante 2 minutos para que se seque por completo. Coloque el dial de selección del tipo de tela en la posición de apagado, desenchufe la plancha y deje que se enfrie.

SISTEMA ANTISARRO *(solo en algunos modelos)*

El antisarro es un sistema permanente localizado en el interior del depósito de agua, que elimina las impurezas. Para prolongar la eficiencia de la unidad, siga estos pasos una vez al mes o después de cada 30 usos:

- Apague la plancha.
- Agregue 1 cucharadita de sal en ¾ de taza de agua y llene el depósito de agua con la solución.
- Déjela reposar en el depósito durante 15 minutos, agítela ocasionalmente y a continuación vacíe el depósito a través del conducto de abastecimiento o mediante el "método de limpieza".
- Llene nuevamente el depósito de agua con una solución de agua salina, agítela y deséchela después de 15 minutos.
- Llene el depósito con agua limpia para enjuagarlo y vacíe el depósito.

GARANTÍA LIMITADA DE 1 AÑO

Sunbeam Products, Inc. operando bajo el nombre de Jarden Consumer Solutions, o en Canadá, Sunbeam Corporation (Canada) Limited operando bajo el nombre de Jarden Consumer Solutions, (en forma conjunta, "JCS"), garantiza que por un período de un año a partir de la fecha de compra, este producto estará libre de defectos de materiales y mano de obra. JCS, a su elección, reparará o reemplazará este producto o cualquier componente del mismo que presente defectos durante el período de garantía. El reemplazo se realizará por un producto o componente nuevo o reparado. Si el producto ya no estuviera disponible, se lo reemplazará por un producto similar de valor igual o superior. Esta es su garantía exclusiva. No intente reparar o ajustar ninguna función eléctrica o mecánica de este producto. Al hacerlo eliminará ésta garantía.

La garantía es válida para el comprador minorista original a partir de la fecha de compra inicial y la misma no es transferible. Conserve el recibo de compra original. Para solicitar servicio en garantía se requiere presentar un recibo de compra. Los agentes y centros de servicio de JCS o las tiendas minoristas que venden productos de JCS no tienen derecho a alterar, modificar ni cambiar de ningún otro modo los términos y las condiciones de esta garantía.

Esta garantía no cubre el desgaste normal de las piezas ni los daños que se produzcan como resultado de uso negligente o mal uso del producto, uso de voltaje incorrecto o corriente inapropiada, uso contrario a las instrucciones operativas, y desarme, reparación o alteración por parte de un tercero ajeno a JCS o a un Centro de Servicio autorizado por JCS. Asimismo, la garantía no cubre actos fortuitos tales como incendios, inundaciones, huracanes y tornados.

¿Cuál es el límite de responsabilidad de JCS?

JCS no será responsable de daños incidentales o emergentes causados por el incumplimiento de alguna garantía o condición expresa, implícita o legal.

Excepto en la medida en que lo prohíba la ley aplicable, cualquier garantía o condición implícita de comerciabilidad o aptitud para un fin determinado se limita, en cuanto a su duración, al plazo de la garantía antes mencionada.

JCS queda exenta de toda otra garantías, condiciones o manifestaciones, expresa, implícita, legal o de cualquier otra naturaleza.

JCS no será responsable de ningún tipo de daño que resulte de la compra, uso o mal uso del producto, o por la imposibilidad de usar el producto, incluidos los daños incidentales, especiales, emergentes o similares, o la pérdida de ganancias, ni de ningún incumplimiento contractual, sea de una obligación esencial o de otra naturaleza, ni de ningún reclamo iniciado contra el comprador por un tercero.

Algunas provincias, estados o jurisdicciones no permiten la exclusión o limitación de los daños incidentales o emergentes ni las limitaciones a la duración de las garantías implícitas, de modo que es posible que la exclusión o las limitaciones antes mencionadas no se apliquen en su caso.

Esta garantía le otorga derechos legales específicos y es posible que usted tenga otros derechos que varían de un estado, provincia o jurisdicción a otro.

Cómo solicitar el servicio en garantía

En los Estados Unidos

Si tiene alguna pregunta sobre esta garantía o desea recibir servicio de garantía, llame al 1.800.458.8407 y podrá obtener la dirección del centro de servicio que le resulte más conveniente.

En Canadá

Si tiene alguna pregunta sobre esta garantía o desea recibir servicio de garantía, llame al 1.800.667.8623 y podrá obtener la dirección del centro de servicio que le resulte más conveniente.

En los Estados Unidos, esta garantía es ofrecida por Sunbeam Products, Inc. operando bajo el nombre de Jarden Consumer Solutions, Boca Ratón, Florida 33431. En Canadá, esta garantía es ofrecida por Sunbeam Corporation (Canada) Limited operando bajo el nombre de Jarden Consumer Solutions, 20 B Hereford Street, Brampton, Ontario L5Y 0M1. Si usted tiene otro problema o reclamo en conexión con este producto, por favor escriba al Departamento de Servicio al Consumidor.

PARE

POR FAVOR NO DEVUELVA ESTE PRODUCTO A NINGUNA DE ESTAS DIRECCIONES NI AL LUGAR DE COMPRA.

Si tiene preguntas sobre el producto visítenos en Internet en www.sunbeam.com o llame al 800-458-8407.