



For product questions:
Sunbeam Consumer Service
USA: 1.800.458.8407
Canada: 1.800.667.8623
www.sunbeam.com

© 2011 Sunbeam Products, Inc. doing business as Jarden Consumer Solutions.
All rights reserved. Distributed by Sunbeam Products, Inc. doing business
as Jarden Consumer Solutions, Boca Raton, Florida 33431.

Para preguntas sobre los productos llame:
Sunbeam Consumer Service
EE.UU.: 1.800.458.8407
Canadá: 1.800.667.8623
www.sunbeam.com

© 2011 Sunbeam Products, Inc. operando bajo el nombre de Jarden Consumer Solutions.
Todos los derechos reservados. Distribuido por Sunbeam Products, Inc. operando bajo
el nombre de Jarden Consumer Solutions, Boca Raton, Florida 33431.

CBA-201011

Sunbeam®

User Manual **2-Slice Toaster**

Manual de Instrucciones **Tostadora de dos rebanadas**

MODELS/
MODELOS

**TSSBTRSB03 &
TSSBTRSW03**



www.sunbeam.com

P.N. 154615

*The product you purchase may differ slightly from the one shown in this manual due to the variety of models.
El producto que Ud. compra puede diferir ligeramente del producto mostrado en el manual debido a la variedad de modelos.*

IMPORTANT SAFEGUARDS

When using electrical appliances, basic safety precautions should always be followed including the following:

READ ALL INSTRUCTIONS BEFORE USE

- *Do not* touch hot surfaces. Metal parts can become hot. Use handles or knobs. All chrome surfaces become extremely hot.
- To protect against electrical shock, *do not* immerse cord, plug or toaster in water or other liquids.
- This appliance should not be used by young children or incapacitated persons. Supervise older children closely.
- *Do not* attempt to dislodge food when toaster is plugged in.
- *Do not* insert fingers or metallic utensils into slots when toaster is plugged in.
- *Do not* operate toaster near flammable materials such as curtains, wall fabric, etc., to prevent fire.
- Unplug from outlet when not in use and before cleaning. Allow to cool before putting on or taking off parts.
- *Do not* insert utensils or foil-covered or oversized foods in toaster as they may involve a risk of fire or electric shock.
- *Do not* pull, twist or otherwise abuse the cord.
- Clean out accumulated crumbs frequently to avoid risk of fire or toaster malfunction. Unplug when not in use and before cleaning.
- *Special Note: Do not* use foods that will drip coatings or fillings when heated. Such accumulations inside the toaster create unsanitary conditions and the possibility of fire or toaster malfunction.
- *Do not* operate any electrical appliance with a frayed or damaged cord or plug or after the appliance malfunctions or has been dropped or damaged in any manner. Take this appliance only to the nearest Authorized Service Center for examination, repair or adjustment.

- Take care to **never** let a power cord hang over the edge of a table or countertop, where it can be accidentally pulled or touch any hot surface.
- **Do not** use outdoors or for commercial purposes.
- **Never** operate any appliance on top of a non-heat-resistant or flammable surface.
- **Never** leave appliance unattended when in use.
- **Do not** place appliance on or near a hot gas stove flame or electrical element, in a heated oven or microwave oven.
- Use this appliance only for its intended use as described in this manual. **Do not** use attachments that are not recommended by manufacturer; they may cause injury.

SPECIAL INSTRUCTIONS

THIS UNIT IS FOR HOUSEHOLD USE ONLY

A short power supply cord is provided to reduce the risk of becoming entangled in or tripping over a long cord. Extension cords may be used if care is exercised in their use. If an extension cord is used, the marked electrical rating of the extension cord should be at least as great as the electrical rating of the appliance. The cord should be arranged so that it will not drape over the countertop or tabletop where it can be pulled on by children or tripped over unintentionally.

POLARIZED PLUG INFORMATION

To reduce the risk of electrical shock, this appliance has a polarized plug (*one blade is wider than the other*). As a safety feature, this plug will fit in a polarized outlet only one way. If the plug does not fit fully into the outlet, reverse the plug. If it still does not fit, contact a qualified electrician. **Do not** attempt to defeat this safety feature.

SAVE THESE INSTRUCTIONS

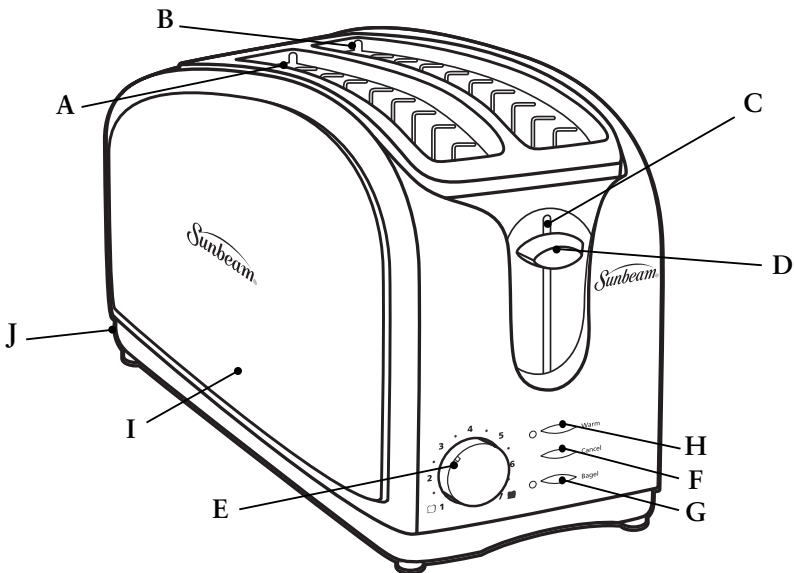
WELCOME

Congratulations! You are the owner of a SUNBEAM® Toaster. Before you use this product for the first time, please take a few moments to read these instructions and keep it for reference. Pay particular attention to the Safety Instructions provided. If you require service on your Sunbeam® Toaster, please do not return to the place of purchase. Please contact us at www.sunbeam.com or 800-458-8407.

LEARNING ABOUT YOUR TOASTER

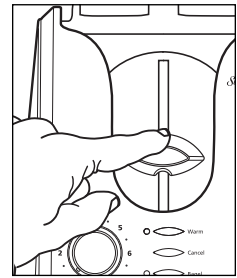
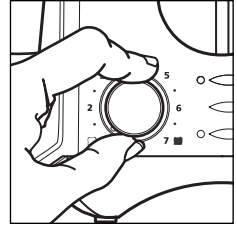
This toaster is equipped with many safety and convenience features to give you optimum performance.

- A. Extra wide slots allow toasting of homemade bread, bagels, English muffins and pastries.
- B. Dual self-adjusting bread guides automatically adjust to bread thickness.
- C. Bread carriage lever is pressed to begin toasting.
- D. Toast lift – Press up on bread carriage lever to lift toast out of the bread slots.
- E. Light/dark selector knob lets you select the toast darkness.
- F. Cancel button is pressed to stop the toasting process.
- G. Bagel Button
- H. Warm Button
- I. Cool-Touch exterior.
- J. Pull-out, non-stick crumb tray. (*Back of unit*).



USING YOUR TOASTER

- Before use remove any stickers and wipe the body of your toaster with a damp cloth.
- Ensure that before plugging the toaster into the outlet, the bread carriage lever is in the resting position.
- Plug the cord into a 120/127 volt, 60 HZ AC outlet. Position toaster at least 3 inches away from wall or rear of counter.
- Let the first toasting process take place without inserting any bread to preheat the new elements and burn off any dust, which may have accumulated during storage. It is normal for this burnoff to create an odor. Your SUNBEAM® toaster is now ready for use.
- Select the desired level of darkness by turning the “1-7” light/dark knob on the front panel of the toaster to the right for darker toast and to the left for lighter toast. Your selection should vary based on the moisture content, thickness of bread or bagel, whether fresh or frozen and your darkness preference.
- Next, place bread in slot and press bread carriage lever downward until it locks. Carriage lever will not stay down if toaster is not plugged in. The self-adjusting bread guides will automatically center the bread for even browning.



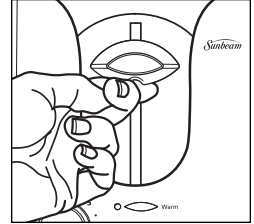
TO TOAST YOUR FOOD:

- Insert the food into the bread slots.
- Press the Bread Carriage Lever until it locks.
- After the desired level of darkness has been reached, the food will pop up automatically. The Bread Carriage Lever will return to the up position and the indicator lights will turn off.
- Carefully remove the toasted food from the bread slots.



TO TOAST YOUR BAGEL:

- Insert the bagel into the bread slots.
- Press the Bread Carriage Lever until it locks.
- Press the Bagel button. The Bagel light will illuminate to indicate your selection.
- After the desired level of darkness has been reached, the food will pop up automatically. The Bread Carriage Lever will return to the up position and the indicator lights will turn off.
- Carefully remove the toasted bagel from the bread slots.



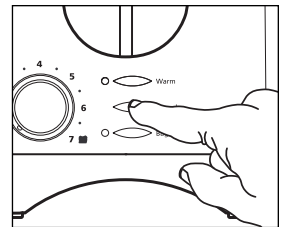
TO WARM YOUR FOOD:

- Insert the food into the bread slots.
- Press the Bread Carriage Lever until it locks.
- Press the Warm button. The Warm light will illuminate to indicate your selection. If desired, press food select (Toast or Bagel). If no food is selected the Toaster will operate in Toast mode. The Toaster will reheat your food.
- Carefully remove the food from the bread slots.

Do not wrap the cord around the main body of appliance during or after use.

USEFUL HINTS

- If you wish to stop the toasting process, press the cancel button. The toaster will stop immediately and the food will pop up automatically.
- Most types of breads and pastries can be toasted; such as bagels, tea cakes, thick sliced breads, English muffins, waffles, etc. Slices should not, however, be so thick as to cause burning or jamming in the bread slots.



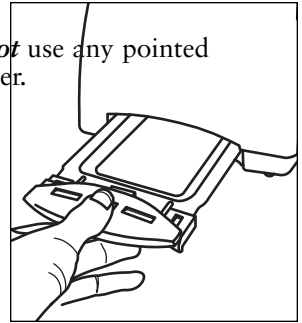
ADJUSTING THE POWER CORD LENGTH

Your toaster's cord storage area allows you to adjust the length of the power cord so that it is the exact length you desire.

- To adjust the length of the power cord: Wrap the power cord around the cord storage posts on the base of the toaster until the cord is the length you desire.

CARE AND CLEANING

- After use and before cleaning, unplug wall plug and wait for toaster to cool.
- Wipe the outside of toaster with a damp cloth and dry with another cloth or paper towel. **Do not** use abrasive cleaners. **Do not** immerse in water or any liquid.
- To avoid damage to toaster heating elements, **do not** use any pointed or sharp articles for cleaning the inside of the toaster.
- **Attention:** Empty the crumb tray frequently. Crumbs will accumulate in the crumb tray and could catch fire if not emptied periodically. When the toaster has cooled down completely, tap the sides of the toaster lightly to dislodge any crumbs caught in the toaster chamber, remove the crumb tray and empty it. Wipe the tray clean with a damp cloth or place it in the top rack of your dishwasher for cleaning. Tap sides again to ensure proper disposal. Return crumb tray back into the toaster before using again.



1 Year Limited Warranty

Sunbeam Products, Inc. doing business as Jarden Consumer Solutions or if in Canada, Sunbeam Corporation (Canada) Limited doing business as Jarden Consumer Solutions (collectively “JCS”) warrants that for a period of one year from the date of purchase, this product will be free from defects in material and workmanship. JCS, at its option, will repair or replace this product or any component of the product found to be defective during the warranty period. Replacement will be made with a new or remanufactured product or component. If the product is no longer available, replacement may be made with a similar product of equal or greater value. This is your exclusive warranty. Do NOT attempt to repair or adjust any electrical or mechanical functions on this product. Doing so will void this warranty.

This warranty is valid for the original retail purchaser from the date of initial retail purchase and is not transferable. Keep the original sales receipt. Proof of purchase is required to obtain warranty performance. JCS dealers, service centers, or retail stores selling JCS products do not have the right to alter, modify or any way change the terms and conditions of this warranty.

This warranty does not cover normal wear of parts or damage resulting from any of the following: negligent use or misuse of the product, use on improper voltage or current, use contrary to the operating instructions, disassembly, repair or alteration by anyone other than JCS or an authorized JCS service center. Further, the warranty does not cover: Acts of God, such as fire, flood, hurricanes and tornadoes.

What are the limits on JCS's Liability?

JCS shall not be liable for any incidental or consequential damages caused by the breach of any express, implied or statutory warranty or condition.

Except to the extent prohibited by applicable law, any implied warranty or condition of merchantability or fitness for a particular purpose is limited in duration to the duration of the above warranty.

JCS disclaims all other warranties, conditions or representations, express, implied, statutory or otherwise.

JCS shall not be liable for any damages of any kind resulting from the purchase, use or misuse of, or inability to use the product including incidental, special, consequential or similar damages or loss of profits, or for any breach of contract, fundamental or otherwise, or for any claim brought against purchaser by any other party.

Some provinces, states or jurisdictions do not allow the exclusion or limitation of incidental or consequential damages or limitations on how long an implied warranty lasts, so the above limitations or exclusion may not apply to you.

This warranty gives you specific legal rights, and you may also have other rights that vary from province to province, state to state or jurisdiction to jurisdiction.

How to Obtain Warranty Service

In the U.S.A.

If you have any question regarding this warranty or would like to obtain warranty service, please call 1 800.458.8407 and a convenient service center address will be provided to you.

In Canada

If you have any question regarding this warranty or would like to obtain warranty service, please call 1 800.667.8623 and a convenient service center address will be provided to you.

In the U.S.A., this warranty is offered by Sunbeam Products, Inc. doing business as Jarden Consumer Solutions located in Boca Raton, Florida 33431. In Canada, this warranty is offered by Sunbeam Corporation (Canada) Limited doing business as Jarden Consumer Solutions, located at 20 B Hereford Street, Brampton, Ontario L6Y 0M1. If you have any other problem or claim in connection with this product, please write our Consumer Service Department. **PLEASE DO NOT RETURN THIS PRODUCT TO ANY OF THESE ADDRESSES OR TO THE PLACE OF PURCHASE.**

PRECAUCIONES IMPORTANTES

Cuando use algún aparato eléctrico siempre deben seguirse precauciones básicas de seguridad incluyendo las siguientes:

LEA TODAS LAS INSTRUCCIONES ANTES DE USAR

- **No** toque las superficies calientes. Las partes metálicas pueden calentarse. Use las asas o perillas. Todas las superficies cromadas se ponen muy calientes.
- Para protegerse contra choques eléctricos, **no** sumerja el cable, el enchufe ni la tostadora en agua ni en ningún otro líquido.
- Este aparato no debe ser usado por niños pequeños o personas incapacitadas. Supervise a los niños mayores con mucho cuidado.
- **No** trate de despegar comida adherida a la tostadora mientras ésta esté enchufada.
- **No** meta los dedos ni utensilios metálicos en las ranuras cuando la tostadora esté enchufada.
- **No** haga funcionar la tostadora cerca de materiales inflamables como cortinas, paredes enteladas, etc., para prevenir incendios.
- Desenchufe el aparato del tomacorriente cuando no lo use y antes de limpiarlo. Espere a que se enfríe antes de colocar o retirar piezas.
- **No** introduzca utensilios ni alimentos cubiertos con papel de aluminio ni alimentos demasiado grandes dado que existe el riesgo de incendio o choque eléctrico.
- **No** tire, retuerza ni dañe el cable de alimentación.
- Limpie y retire las migajas acumuladas frecuentemente para evitar el riesgo de incendio o mal funcionamiento de la tostadora. Desenchufe el aparato cuando no lo use o antes de limpiarlo.
- **Nota Especial:** **No** use alimentos que derramen cubiertas o rellenos cuando se los calienta. Dichas acumulaciones dentro de la tostadora crean condiciones poco higiénicas y la posibilidad de incendio o mal funcionamiento de la tostadora.
- **No** opere ningún aparato eléctrico cuando tenga el cable o el enchufe dañados o después de que el aparato se haya caído o dañado en alguna forma. Lleve este aparato solamente al Centro de Servicio Autorizado más cercano para su revisión, reparación o ajuste.

- Tenga cuidado de *nunca* dejar que el cable cuelgue del borde de la mesa o del mostrador desde donde se puede jalar accidentalmente ni que toque superficies calientes.
- **No** use al aire libre ni con fines comerciales.
- *Nunca* haga funcionar ningún aparato sobre una superficie no resistente al calor o inflamable.
- *Nunca* deje un aparato sin vigilancia mientras esté funcionando.
- **No** ponga el aparato sobre o cerca de una estufa de gas o eléctrica caliente ni en un horno caliente o en un horno de microondas.
- Use este aparato solamente para el fin al cual está destinado, según se describe en este manual. **No** use accesorios no recomendados por el fabricante; pueden causar lesiones.

INSTRUCCIONES ESPECIALES

ESTA UNIDAD ES PARA USO DOMÉSTICO ÚNICAMENTE

Se provee un cable de alimentación corto para reducir el riesgo de que alguien pueda enredarse o tropezar. Se pueden usar extensiones con sumo cuidado. Si se usa una extensión, la capacidad eléctrica consignada en la extensión debe ser por lo menos del mismo valor que la capacidad eléctrica del aparato. Se debe disponer el cable de modo tal que no cuelgue del mostrador ni de la mesa para que no pueda ser jalado por los niños ni provocar tropiezos involuntarios.

INFORMACIÓN SOBRE EL ENCHUFE POLARIZADO

Para reducir el riesgo de choque eléctrico, este aparato tiene un enchufe polarizado (*una pata es más ancha que la otra*). Como medida de seguridad, este enchufe calza en el tomacorriente polarizado de una sola manera. Si el enchufe no cabe totalmente en el tomacorriente, gire el enchufe. Si aún así no calza, consulte a un electricista calificado. **No** intente anular esta característica de seguridad.

GUARDE ESTAS INSTRUCCIONES

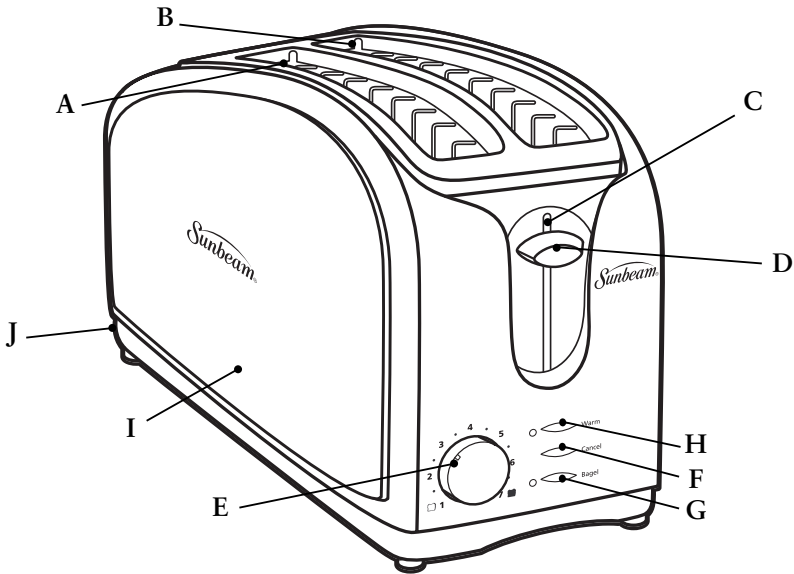
BIENVENIDO

¡Felicitaciones! Usted es el dueño de una Tostadora SUNBEAM.® Antes de usar este producto por primera vez, tómese unos minutos para leer estas instrucciones y guárdelas para consultarlas cuando sea necesario. Preste especial atención a las instrucciones de seguridad. Si requiere servicio para su tostadora Sunbeam®, no la regrese al lugar donde la compró. Póngase en contacto con nosotros en www.sunbeam.com o al 800-458-8407.

DESCRIPCIÓN DE LA TOSTADORA

Esta tostadora está equipada con muchas características y funciones para su seguridad y comodidad, a fin de brindarle un rendimiento óptimo.

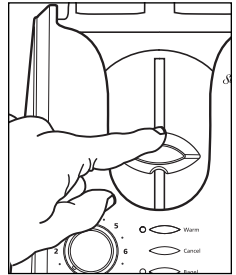
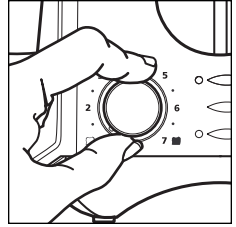
- A. Ranuras extra anchas que permiten tostar pan casero, bagels, muffins y pastelillos.
- B. Las dos guías autoajustables para el pan se adaptan automáticamente al grosor del pan.
- C. Para iniciar el tostado se presiona la palanca del dispositivo para el pan.
- D. Levantador de tostada – Presione la palanca del dispositivo para el pan hacia arriba para levantar la tostada y sacarla de la ranura.
- E. La perilla selectora clara/oscura le permite seleccionar la intensidad tostado.
- F. Para cancelar el proceso de tostado se presiona el botón Cancel (Cancelar).
- G. Botón para bagels.
- H. Botón para recalentar.
- I. Exterior que permanece frío.
- J. Bandeja para migajas antiadherente deslizable. (*Parte posterior de la unidad.*).



SU TOSTADORA

USO DE LA TOSTADORA

- Antes de usar el aparato retire todas las calcomanías y limpie el cuerpo de la tostadora con un paño húmedo.
- Asegúrese de que antes de enchufar la tostadora en el tomacorriente, la palanca del dispositivo para el pan esté en posición de reposo.
- Enchufe el cable de alimentación en un tomacorriente de 120/127 voltios, 60 hz. de CA. Ubique la tostadora por lo menos a 3 pulgadas de la pared o la parte posterior del mostrador.
- Lleve a cabo el primer proceso de tostado sin introducir pan en las ranuras, para precalentar los nuevos elementos e incinerar cualquier resto de polvo que se hubiera acumulado durante el almacenamiento. Es perfectamente normal que dicho quemado produzca un olor. Su tostadora SUNBEAM® ya se encuentra lista para el uso.
- Seleccione la intensidad de tostado deseada girando la perilla clara/oscura “1-7” que se encuentra en el panel frontal de la tostadora hacia la derecha para obtener tostadas más oscuras o hacia la izquierda para tostadas más claras. Su selección debería variar según el contenido de humedad y el espesor del pan o bagel, si es fresco o congelado, y según su preferencia de intensidad de tostado.
- Luego ponga el pan o bagel en la ranura y baje la palanca del dispositivo, hasta que quede trabada. La palanca del dispositivo no quedará trabada a menos que la tostadora esté enchufada. Las guías autoajustables para el pan automáticamente centran el pan o bagel para un tostado parejao.



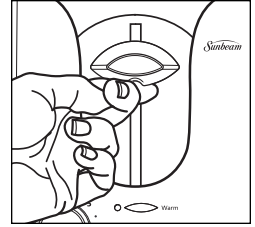
PARA TOSTAR PAN:

- Coloque el pan rebanado en las ranuras.
- Empuje hacia abajo la Palanca Portadora de Pan hasta que se trabe en su sitio.
- Luego de alcanzar el nivel de tostado escogido, el pan se levantará automáticamente. La Palanca Portadora de Pan volverá a la posición superior y la luces indicadoras se apagarán.
- Retire con cuidado el pan tostado de las ranuras.



PARA TOSTAR ROSCAS (BAGEL):

- Coloque las roscas (Bagels) en las ranuras.
- Empuje hacia abajo la Palanca Portadora de Pan hasta que se trabaje en su sitio.
- Oprima el botón de Roscas (Bagel). La luz de Roscas se iluminará para indicar su selección.
- Luego de alcanzar el nivel de tostado escogido, las roscas se levantarán automáticamente. La Palanca Portadora de Pan volverá a la posición superior y la luces indicadoras se apagarán.
- Retire con cuidado las roscas tostadas de las ranuras.



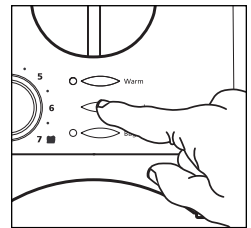
PARA RECALENTAR ALIMENTOS:

- Coloque los alimentos en las ranuras.
- Empuje hacia abajo la Palanca Portadora de Pan hasta que se trabaje en su sitio.
- Oprima el botón de Recalentar. La luz de Recalentar se iluminará para indicar su selección. Si lo desea puede seleccionar entre Tostada o Rosca. Si no lo hace la Tostadora activará la función de Tostada. La Tostadora recalentará su comida.
- Retire con cuidado el alimento de las ranuras.

No enrolle el cable de alimentación alrededor del cuerpo principal del aparato durante o después de su uso.

CONSEJOS ÚTILES

- Si desea cancelar el proceso de tostado, presione el botón Cancel (cancelar). La tostadora dejará defuncionar inmediatamente y la tostada saltará automáticamente.
- La mayoría de los tipos de pan y pastelillos se pueden tostar, por ejemplo bagels, pasteles de té, panes cortados grueso, muffins, waffles, etc. Sin embargo, las rebanadas no deben ser tan gruesas como para que el pan se queme o se atasque en las ranuras.



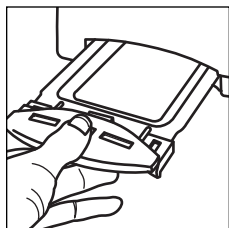
AJUSTE DE LA LONGITUD DEL CABLE DE ALIMENTACIÓN

El dispositivo para guardar el cable de su tostadora permite ajustar la longitud del cable de alimentación exactamente a la medida que usted desee.

- Para ajustar la longitud del cable de alimentación: Enrolle el cable de alimentación alrededor de los extremos del dispositivo para guardar el cable, hasta que el mismo tenga la longitud que usted desee.

CUIDADO Y LIMPIEZA

- Después de usar la tostadora y antes de limpiarla, desenchúfela del tomacorriente y espere a que se enfríe.
- Limpie la parte externa de la tostadora con un paño húmedo y séquela con otro. No sumerja en agua u otro líquido.
- Para evitar dañar las resistencias eléctricas de la tostadora, **no** use elementos punzantes o filosos para limpiar el interior de la tostadora.
- **Atención:** Vacíe la bandeja para migajas con frecuencia. Las migajas se acumulan en la bandeja y pueden incendiarse si no se vacían periódicamente. Una vez que la tostadora se haya enfriado por completo, golpee suavemente los costados para desalojar las migajas que hayan quedado en la cámara de la tostadora. Luego retire la bandeja para migajas y vacíela. Limpie la bandeja con un paño húmedo o póngala en el estante superior del lavavajillas para lavarla. Golpee nuevamente los costados para asegurar su correcta eliminación. Vuelva a colocar la bandeja para migajas en la tostadora antes de usarla nuevamente.



Garantía Limitada de 1 Año

Sunbeam Products, Inc. operando bajo el nombre de Jarden Consumer Solutions, o en Canadá, Sunbeam Corporation (Canada) Limited operando bajo el nombre de Jarden Consumer Solutions, (en forma conjunta, “JCS”), garantiza que por un período de un año a partir de la fecha de compra, este producto estará libre de defectos de materiales y mano de obra. JCS, a su elección, reparará o reemplazará este producto o cualquier componente del mismo que presente defectos durante el período de garantía. El reemplazo se realizará por un producto o componente nuevo o reparado. Si el producto ya no estuviera disponible, se lo reemplazará por un producto similar de valor igual o superior. Ésta es su garantía exclusiva. No intente reparar o ajustar ninguna función eléctrica o mecánica de este producto. Al hacerlo eliminará ésta garantía.

La garantía es válida para el comprador minorista original a partir de la fecha de compra inicial y la misma no es transferible. Conserve el recibo de compra original. Para solicitar servicio en garantía se requiere presentar un recibo de compra. Los agentes y centros de servicio de JCS o las tiendas minoristas que venden productos de JCS no tienen derecho a alterar, modificar ni cambiar de ningún otro modo los términos y las condiciones de esta garantía.

Esta garantía no cubre el desgaste normal de las piezas ni los daños que se produzcan como resultado de uso negligente o mal uso del producto, uso de voltaje incorrecto o corriente inapropiada, uso contrario a las instrucciones operativas, y desarme, reparación o alteración por parte de un tercero ajeno a JCS o a un Centro de Servicio autorizado por JCS. Asimismo, la garantía no cubre actos fortuitos tales como incendios, inundaciones, huracanes y tornados.

¿Cuál es el límite de responsabilidad de JCS?

JCS no será responsable de daños incidentales o emergentes causados por el incumplimiento de alguna garantía o condición expresa, implícita o legal.

Excepto en la medida en que lo prohíba la ley aplicable, cualquier garantía o condición implícita de comerciabilidad o aptitud para un fin determinado se limita, en cuanto a su duración, al plazo de la garantía antes mencionada.

JCS queda exenta de toda otra garantías, condiciones o manifestaciones, expresa, implícita, legal o de cualquier otra naturaleza.

JCS no será responsable de ningún tipo de daño que resulte de la compra, uso o mal uso del producto, o por la imposibilidad de usar el producto, incluidos los daños incidentales, especiales, emergentes o similares, o la pérdida de ganancias, ni de ningún incumplimiento contractual, sea de una obligación esencial o de otra naturaleza, ni de ningún reclamo iniciado contra el comprador por un tercero.

Algunas provincias, estados o jurisdicciones no permiten la exclusión o limitación de los daños incidentales o emergentes ni las limitaciones a la duración de las garantías implícitas, de modo que es posible que la exclusión o las limitaciones antes mencionadas no se apliquen en su caso.

Esta garantía le otorga derechos legales específicos y es posible que usted tenga otros derechos que varían de un estado, provincia o jurisdicción a otro.

Cómo solicitar el servicio en garantía

En los Estados Unidos

Si tiene alguna pregunta sobre esta garantía o desea recibir servicio de garantía, llame al 1.800.458.8407 y podrá obtener la dirección del centro de servicio que le resulte más conveniente.

En Canadá

Si tiene alguna pregunta sobre esta garantía o desea recibir servicio de garantía, llame al 1.800.667.8623 y podrá obtener la dirección del centro de servicio que le resulte más conveniente.

En los Estados Unidos, esta garantía es ofrecida por Sunbeam Products, Inc. operando bajo el nombre de Jarden Consumer Solutions, Boca Ratón, Florida 33431. En Canadá, esta garantía es ofrecida por Sunbeam Corporation (Canada) Limited operando bajo el nombre de Jarden Consumer Solutions, 20 B Hereford Street, Brampton, Ontario L6Y 0M1. Si usted tiene otro problema o reclamo en conexión con este producto, por favor escriba al Departamento de Servicio al Consumidor. **POR FAVOR NO DEVUELVA ESTE PRODUCTO A NINGUNA DE ESTAS DIRECCIONES NI AL LUGAR DE COMPRA.**