

SAVE THESE INSTRUCTIONS

defeat this safety feature.

To reduce the risk of electrical shock, this appliance has a polarized plug (*one blade is wider than the other*). This plug fits a polarized outlet only one way; if the plug does not fit fully into the outlet, reverse the plug. If it still does not fit, contact a qualified electrician. Do not attempt to

- FOR PRODUCTS PURCHASED IN THE UNITED STATES AND CANADA
- If an extension cord is absolutely necessary, a 15-ampere cord should be used. Cords rated for less amperage may overheat. Care should be taken to arrange the extension cord so that it cannot be pulled or tripped over.
- This is a 1200-Watt appliance. To avoid a circuit overload, do not operate another high wattage appliance on the same circuit.

SPECIAL INSTRUCTIONS

- Do not set the iron on an unprotected surface, even if it is on its heel rest.
- Your SUNBEAM® iron is designed to rest on the heel rest. Do not leave the iron unattended.
- If the iron is not operating normally, disconnect from the power supply and have the iron serviced by an authorized service center. Or call Customer Service at 800-458-8407.
- If the iron is not operating normally, disconnect from the power supply and have the iron a steam iron upside down – there may be hot water in the reservoir.
- Burns can occur from touching hot metal parts, hot water or steam. Use caution when you turn iron unattended while plugged in or turned on or on an ironing board.
- Close supervision is necessary for any appliance being used by or near children. Do not leave when the iron is used.
- To avoid the risk of electric shock, do not disassemble the iron. Take it to an authorized service center for examination and/or repair. Incorrect reassembly can cause a risk of electric shock.
- Do not operate iron with a damaged cord or if the iron has been dropped or damaged.
- Always disconnect iron from electrical outlet when filling with water or emptying and when cord loosely around iron when storing.
- Do not allow cord to touch hot surfaces. Let iron cool completely before putting away. Loop plug to disconnect.
- The Fabric Select and Steam Lever should always be turned to “Off” before plugging or unplugging from outlet. Never yank cord to disconnect from outlet; instead, grasp plug and pull to disconnect.
- To protect against risk of electric shock, do not immerse the iron in water or other liquids.
- Use iron only for its intended use.

READ ALL INSTRUCTIONS BEFORE USE

followed including the following:

When using electrical appliances, basic safety precautions should always be

IMPORTANT SAFEGUARDS

Sunbeam®

Instruction Manual **Classic Irons**
Manual de Instrucciones **Planchas Clásicas**

**MODELS/
MODELOS 3017, 3026**



www.sunbeam.com

P.N. 121998 REV. A

GUARDE ESTAS INSTRUCCIONES

un electricista calificado. No intente anular esta característica de seguridad.

Para reducir el riesgo de choque eléctrico, este aparato tiene un enchufe polarizado (una pata es más ancha que la otra). Este enchufe calza en un tomacorriente polarizado sólo de una manera; si el enchufe no cabe totalmente en el tomacorriente, gíre el enchufe. Si aun así no calza, consulte a un electricista calificado. No intente anular esta característica de seguridad.

PARA PRODUCTOS COMPRADOS EN LOS EE.UU. Y CANADÁ

- Este aparato funciona con 1200 vatios. Para evitar una sobrecarga del circuito no haga funcionar otro aparato de alto vataje en el mismo circuito.
- Si resulta absolutamente necesario usar un cable de extensión, se debe usar un cable de 15 amperios. Los cables con tensiones nominales menores pueden sobrecalentarse. Se debe cuidar de poner el cable de extensión de modo tal que no pueda ser arrancado o provocar tropiezos.

INSTRUCCIONES ESPECIALES

- La plancha SUNBEAM® está diseñada para apoyarse en el talón de apoyo. No deje la plancha en el talón de apoyo.
- Su plancha SUNBEAM® está diseñada para apoyarse en el talón de apoyo. No deje la plancha en el talón de apoyo. O llame a Servicio al Cliente al 800-458-8407.
- Si la plancha no funciona normalmente, desconecte la plancha del tomacorriente y hágala revisar por un centro de servicio autorizado. O llame a Servicio al Cliente al 800-458-8407.
- Siempre desconecte la plancha del tomacorriente eléctrico cuando no esté en uso.
- No haga funcionar la plancha si el cable está dañado o si la plancha se ha caído o dañado. Vacíendola y también cuando este llenándola de agua o a el vapor. Tenga cuidado al invertir una plancha de vapor ya que puede quedar caliente
- Se pueden producir quemaduras por contacto con las partes de metal calientes, el agua caliente o el vapor. Tenga cuidado al invertir una plancha de vapor ya que puede quedar caliente
- Es necesario vigilar cuidadosamente a los niños cuando usen cualquier aparato o se encuentren cerca de él. No deje la plancha sin vigilancia mientras este enchufada, encendida o sobre una tabla de planchar.
- No permita que el cable toque superficies calientes. Deje enfriar la plancha por completo antes de guardarla. Envuelva el cable flojamente alrededor de la plancha para guardarla.
- El selector de tela y la palanca de vapor deben estar siempre “apagado” antes de enchufar o desenchufar del tomacorriente. Nunca tire del cable para desconectarla del tomacorriente, sufre el enchufe y tire de él para desconectarla.
- Para protegerse contra el riesgo de un choque eléctrico, no sumerja la plancha en agua ni en otros líquidos.
- Use la plancha únicamente para el uso al que está destinada.

LEA TODAS LAS INSTRUCCIONES ANTES DE USAR

de seguridad incluyendo las siguientes:

Cuando use algún aparato eléctrico siempre deben seguirse precauciones básicas

PRECAUCIONES IMPORTANTES

Garantía Limitada de 1 Año

Sunbeam Products, Inc. operando bajo el nombre de Jarden Consumer Solutions, o en Canadá, Sunbeam Corporation (Canada) Limited operando bajo el nombre de Jarden Consumer Solutions, (en forma conjunta, “JCS”), garantiza que por un período de un año a partir de la fecha de compra, este producto estará libre de defectos de materiales y mano de obra. JCS, a su elección, reparará o reemplazará este producto o cualquier componente del mismo que presente defectos durante el período de garantía. El reemplazo se realizará por un producto o componente nuevo o reparado. Si el producto ya no estuviera disponible, se lo reemplazará por un producto similar de valor igual o superior. Ésta es su garantía exclusiva. No intente reparar o ajustar ninguna función eléctrica o mecánica de este producto. Al hacerlo eliminará ésta garantía.

La garantía es válida para el comprador minorista original a partir de la fecha de compra inicial y la misma no es transferible. Conserve el recibo de compra original. Para solicitar servicio en garantía se requiere presentar un recibo de compra. Los agentes y centros de servicio de JCS o las tiendas minoristas que venden productos de JCS no tienen derecho a alterar, modificar ni cambiar de ningún otro modo los términos y las condiciones de esta garantía.

Esta garantía no cubre el desgaste normal de las piezas ni los daños que se produzcan como resultado de uso negligente o mal uso del producto, uso de voltaje incorrecto o corriente inapropiada, uso contrario a las instrucciones operativas, y desarme, reparación o alteración por parte de un tercero ajeno a JCS o a un Centro de Servicio autorizado por JCS. Asimismo, la garantía no cubre actos fortuitos tales como incendios, inundaciones, huracanes y tornados.

¿Cuál es el límite de responsabilidad de JCS?

JCS no será responsable de daños incidentales o emergentes causados por el incumplimiento de alguna garantía o condición expresa, implícita o legal.

Excepto en la medida en que lo prohíba la ley aplicable, cualquier garantía o condición implícita de comerciabilidad o aptitud para un fin determinado se limita, en cuanto a su duración, al plazo de la garantía antes mencionada.

JCS queda exenta de toda otra garantías, condiciones o manifestaciones, expresa, implícita, legal o de cualquier otra naturaleza.

JCS no será responsable de ningún tipo de daño que resulte de la compra, uso o mal uso del producto, o por la imposibilidad de usar el producto, incluidos los daños incidentales, especiales, emergentes o similares, o la pérdida de ganancias, ni de ningún incumplimiento contractual, sea de una obligación esencial o de otra naturaleza, ni de ningún reclamo iniciado contra el comprador por un tercero.

Algunas provincias, estados o jurisdicciones no permiten la exclusión o limitación de los daños incidentales o emergentes ni las limitaciones a la duración de las garantías implícitas, de modo que es posible que la exclusión o las limitaciones antes mencionadas no se apliquen en su caso.

Esta garantía le otorga derechos legales específicos y es posible que usted tenga otros derechos que varían de un estado, provincia o jurisdicción a otro.

Cómo solicitar el servicio en garantía

En los Estados Unidos –

Si tiene alguna pregunta sobre esta garantía o desea recibir servicio de garantía, llame al 1.800.458.8407 y podrá obtener la dirección del centro de servicio que le resulte más conveniente.

En Canadá –

Si tiene alguna pregunta sobre esta garantía o desea recibir servicio de garantía, llame al 1.800.667.8623 y podrá obtener la dirección del centro de servicio que le resulte más conveniente.

En los Estados Unidos, esta garantía es ofrecida por Sunbeam Products, Inc. operando bajo el nombre de Jarden Consumer Solutions, Boca Ratón, Florida 33431. En Canadá, esta garantía es ofrecida por Sunbeam Corporation (Canada) Limited operando bajo el nombre de Jarden Consumer Solutions, 20 B Hereford Street, Brampton, Ontario L6Y 0M1. Si usted tiene otro problema o reclamo en conexión con este producto, por favor escriba al Departamento de Servicio al Consumidor.

**POR FAVOR NO DEVUELVA ESTE PRODUCTO A NINGUNA
DE ESTAS DIRECCIONES NI AL LUGAR DE COMPRA.**

Printed in China

Impreso en China

Sunbeam®

1 Year Limited Warranty

Sunbeam Products, Inc. doing business as Jarden Consumer Solutions or if in Canada, Sunbeam Corporation (Canada) Limited doing business as Jarden Consumer Solutions (collectively “JCS”) warrants that for a period of one year from the date of purchase, this product will be free from defects in material and workmanship. JCS, at its option, will repair or replace this product or any component of the product found to be defective during the warranty period. Replacement will be made with a new or remanufactured product or component. If the product is no longer available, replacement may be made with a similar product of equal or greater value. This is your exclusive warranty. Do NOT attempt to repair or adjust any electrical or mechanical functions on this product. Doing so will void this warranty.

This warranty is valid for the original retail purchaser from the date of initial retail purchase and is not transferable. Keep the original sales receipt. Proof of purchase is required to obtain warranty performance. JCS dealers, service centers, or retail stores selling JCS products do not have the right to alter, modify or any way change the terms and conditions of this warranty.

This warranty does not cover normal wear of parts or damage resulting from any of the following: negligent use or misuse of the product, use on improper voltage or current, use contrary to the operating instructions, disassembly, repair or alteration by anyone other than JCS or an authorized JCS service center. Further, the warranty does not cover: Acts of God, such as fire, flood, hurricanes and tornadoes.

What are the limits on JCS’s Liability?

JCS shall not be liable for any incidental or consequential damages caused by the breach of any express, implied or statutory warranty or condition.

Except to the extent prohibited by applicable law, any implied warranty or condition of merchantability or fitness for a particular purpose is limited in duration to the duration of the above warranty.

JCS disclaims all other warranties, conditions or representations, express, implied, statutory or otherwise.

JCS shall not be liable for any damages of any kind resulting from the purchase, use or misuse of, or inability to use the product including incidental, special, consequential or similar damages or loss of profits, or for any breach of contract, fundamental or otherwise, or for any claim brought against purchaser by any other party.

Some provinces, states or jurisdictions do not allow the exclusion or limitation of incidental or consequential damages or limitations on how long an implied warranty lasts, so the above limitations or exclusion may not apply to you.

This warranty gives you specific legal rights, and you may also have other rights that vary from province to province, state to state or jurisdiction to jurisdiction.

How to Obtain Warranty Service

In the U.S.A. –

If you have any question regarding this warranty or would like to obtain warranty service, please call 1.800.458.8407 and a convenient service center address will be provided to you.

In Canada –

If you have any question regarding this warranty or would like to obtain warranty service, please call 1.800.667.8623 and a convenient service center address will be provided to you.

In the U.S.A., this warranty is offered by Sunbeam Products, Inc. doing business as Jarden Consumer Solutions located in Boca Raton, Florida 33431. In Canada, this warranty is offered by Sunbeam Corporation (Canada) Limited doing business as Jarden Consumer Solutions, located at 20 B Hereford Street, Brampton, Ontario L6Y 0M1. If you have any other problem or claim in connection with this product, please write our Consumer Service Department.

**PLEASE DO NOT RETURN THIS PRODUCT TO ANY OF THESE
ADDRESSES OR TO THE PLACE OF PURCHASE.**

operando bajo el nombre de Jarden Consumer Solutions, Boca Raton, Florida 33431. Todos los derechos reservados. Distribuido por Sunbeam Products, Inc.

©2009 Sunbeam Products, Inc. operando bajo el nombre de Jarden Consumer Solutions.

Sunbeam Consumer Service
EE.UU.: 1.800.458.8407
Canadá: 1.800.667.8623
www.sunbeam.com

SPR-012709

doing business as Jarden Consumer Solutions, Boca Raton, Florida 33431.

All rights reserved. Distributed by Sunbeam Products, Inc.

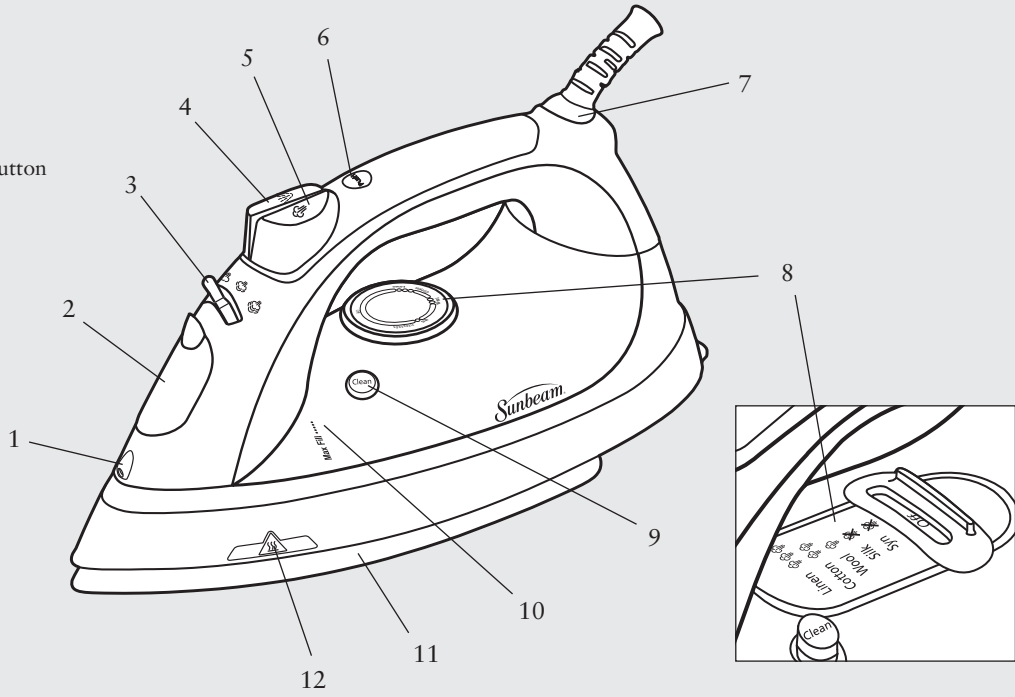
©2009 Sunbeam Products, Inc. doing business as Jarden Consumer Solutions.

Sunbeam Consumer Service
USA: 1.800.458.8407
Canadá: 1.800.667.8623
www.sunbeam.com

For product questions:

FEATURES OF YOUR CLASSIC IRON

- SPRAY MIST® Release
- Covered Water Fill Hole
- Steam Lever
- SPRAY MIST® Button
- SHOT OF STEAM® / Vertical Steam Button (select models only)
- Power Indicator Light / Restart Button (select models only)
- 360° Tangle-Free Swivel Cord
- Fabric Select
- Self Clean Button
- See-Through Water Reservoir/ Maximum Fill Line
- Soleplate
- Storage Strip® Indicator



Visit www.sunbeam.com for an Ironing Guide and Ironing Tips

TO FILL THE WATER RESERVOIR *(use tap water)*

- Make sure the iron is unplugged. Set the Steam Lever to ☼ (Dry) and the Fabric Select to OFF.
- Lift the Water Fill Hole Cover.
- Fill water cup with tap water. Pour water into iron water reservoir. Do not fill water reservoir beyond maximum fill level.

WARNING: To prevent the risk of burns, be careful when filling a hot iron with water. Hot metal parts, hot water and steam can cause injuries.

DRY IRONING

- Make sure the Steam Lever is turned to the ☼ (Dry) setting.
- Plug the cord into a 120-Volt AC outlet.
- Select the fabric setting you desire (*Silk or Synthetics*). Allow the iron to heat for 2 minutes. While the iron is heating, make sure it is sitting on its heel rest on a stable, protected surface.

Note: While the Steam Lever is turned to the ☼ (Dry) setting, you may still use the SHOT OF STEAM® or SPRAY MIST® feature. Please make sure the water reservoir is approximately 1/4 full of water.

Tip: Refer to the Ironing Guide for the recommended setting for your fabric.

STEAM IRONING

- Follow the instructions for “Filling the Water Reservoir.”
- Plug the cord into a 120-Volt AC outlet.
- Select the fabric setting you desire (*Synthetic, Silk, Linen, Cotton or Wool*). Allow the iron to heat for 2 minutes. While the iron is heating, make sure it is sitting on its heel rest on a stable, protected surface.
- Allow the iron to heat for 2 minutes, and then turn the Steam Lever to the appropriate setting.

IMPORTANT: When not ironing, always set the Steam Lever to ☼ (Dry) and the Fabric Select to OFF.

USING THE IRON’S SPECIAL FEATURES

SPRAY MIST® FEATURE is a powerful water spray mist that dampens the fabric to aid in removing wrinkles from heavy fabrics and for setting creases.

To use the Spray Mist® Feature: Press the Spray Mist® button firmly.

SHOT OF STEAM® FEATURE provides an extra burst of steam for deep penetration of stubborn wrinkles. You can use this feature while Dry or Steam ironing. The water reservoir must be approximately 1/4 full of water.

To use the Shot of Steam® Feature: Place the iron on top of the wrinkle and press the SHOT OF STEAM® button each time you would like an extra burst of steam. The SHOT OF STEAM® feature may be used continuously with just a short pause between shots.

VERTICAL STEAM (*select models only*) allows your iron to function as a garment steamer.

Tip: When using vertical steam on clothing, hang the clothing on a clothes hanger for best results. Hanging curtains and drapes may also be steamed.

To use Vertical Steam:

- Make sure that the iron has heated up (2 minutes).
- Hold the iron in a vertical position, with the iron close to but not touching the fabric you want to steam.
- With your other hand, pull the fabric tight.
- Press the SHOT OF STEAM® button in approximately 3-second intervals as you move the iron across the wrinkled area.

WARNING: To prevent the risk of burns, keep your hand away from the area being steamed.

WARNING: DO NOT steam garments while wearing them; this may result in injuries.

30 MINUTE TIMED AUTO-OFF

When the iron is plugged in, the Auto-Off activates automatically after 30 minutes. The Auto-Off will activate in any position after the 30 minutes. Once the Auto-Off activates, the power indicator light will turn off and the iron stops heating.

To restart the iron: Press the Restart Button (*Power Indicator Light*).

If you do NOT want to iron any longer, unplug the iron. Then move the Variable Steam Lever to ☼ (Dry) and the Fabric Select to Off.

WARNING: The Auto-Off is a safety feature and is not a recommended means for turning your iron off. See “Caring for Your Iron After Use.”

STORAGE STRIP® INDICATOR (*select models only*) is an easy way to see when the iron is cool enough to store.

To use the Storage Strip® Indicator: Turn iron on. In approximately 2 minutes, the Storage Strip® Indicator will turn from black to red, indicating that the iron is too hot to store.

When the iron is turned off, it will take the iron approximately 30-40 minutes for the Storage Strip® Indicator to turn from red to black, indicating that the iron is cool enough to store.

CAUTION: The STORAGE STRIP® indicator should only be used as a guideline. The iron should always be handled and stored with care.

CARING FOR YOUR IRON AFTER USE

TURNING OFF YOUR IRON

- Turn the Variable Steam Lever to ☼ (Dry) and Fabric Select to Off.
- Unplug the iron from the power source.

WARNING: NEVER yank the power cord when unplugging the iron. This can damage the cord.

CARACTERÍSTICAS DE SU PLANCHA CLASSIC

- Accionador de SPRAY MIST®
- Orificio para Cargar Agua con Tapa
- Palanca de vapor
- Botón SPRAY MIST®
- Botón SHOT OF STEAM® / Vapor Vertical (modelos seleccionados únicamente)
- Luz Indicadora de Encendido/ Botón de Reinicio (modelos seleccionados unicamente)
- Cordón giratorio a 360° para evitar enredos.
- Perilla Selectora de Telas
- Botón de autolimpieza
- Reservorio de Agua Transparente / Línea de Llenar Máxima
- Base
- Indicador Storage Strip®

STORING YOUR IRON

- Turn off iron and unplug from outlet. Allow the iron to cool.
- If you do not use your iron on a daily basis, empty the water reservoir after each use for a longer iron life. To do so, unplug the iron, turn the iron upside down, open the fill hole cover, and allow water to flow from the fill hole. Shake the iron gently to remove trapped water drops.
- Loosely loop the power cord around the heel rest and store the iron on its heel rest.

IMPORTANT: Wrapping the cord around the iron too tightly can damage the cord.

Tip: When not ironing, always set the Variable Steam Lever to (Dry) and the Fabric Select to Off.

MAINTAINING YOUR CLASSIC IRON

CLEANING THE SOLEPLATE

Clean the soleplate if starch or other residue accumulate.

To clean the Soleplate:

- Turn off iron and unplug from outlet. Allow the iron to cool and then wipe it with a soft, damp cloth.

WARNING: DO NOT use abrasive cleansers, scouring pads or vinegar to clean the soleplate. This will damage the finish.

- Run the iron over an all-cotton cloth to remove any residue.

USING THE SELF-CLEANING FEATURE

You should use the Self-Cleaning feature once a month to maintain the optimal performance of your iron. Turn off iron following instructions above.

To use the Self-Clean feature:

- Move the Variable Steam Lever back and forth from ☼ (Dry) to ☼ (Max Steam) several times to remove debris and minerals from the Variable Steam Valve. This keeps water flowing into the steam chamber
 - Fill the water reservoir with tap water to the MAX line.
 - Set the Fabric Select to Linen.
 - Plug the iron into a power outlet and allow the iron to heat for 2 minutes.
 - Allow iron to cool, then turn the Fabric Select to Off then unplug the iron.
 - Allow iron to cool, then hold the iron over a sink in a horizontal position.
- WARNING:** Be careful not to touch the iron’s hot surfaces.
- Press the Self-clean Button and hold. Water will begin dripping from the steam vents. To make sure that all of the water is removed from the tank, slowly rock the iron side to side and front to back for 30 seconds. When rocking the iron, dip the nose of the iron slightly below the rear of the iron to make certain the water circulates completely. Release Self-Clean button after one minute.
 - Turn the iron upside down and allow the remaining water to flow out of the fill hole.
 - Dry the soleplate with a towel.
 - Plug in the iron and set the Fabric Select to Linen. Let the iron heat for 2 minutes to dry out the iron completely.
 - Set the Fabric Select to the Off, unplug the iron, and allow it to cool.

PARA LLENAR EL TANQUE DE AGUA *(use agua de grifo)*

- Asegúrese de que la plancha esté desenchufada. Ajuste la palanca de vapor a ☼ (seco) y el selector de tela a (apagado).
- Levante la Tapa del Orificio del Tanque de Agua. La tapa se puede retirar y se puede volver a colocar cuidadosamente en las ranuras.
- Llene la taza con agua. Vierta el agua en el tanque de agua de la plancha. No llene el tanque de agua más allá del nivel máximo de llenado.

ADVERTENCIA: Para prevenir el riesgo de quemaduras, tenga cuidado al llenar una plancha caliente con agua. Las partes de metal calientes, el agua caliente y el vapor pueden causar lesiones.

PLANCHANDO EN SECO

- Asegúrese de que la palanca del vapor esté en la posición ☼ (Dry) (☼ [Seco]).
- Enchufe el cable en un tomacorriente de CA de 120 voltios. (En México, 127 voltios)
- Seleccione el tipo de tela deseado (*seda o sintético*). Deje que la plancha caliente durante 2 minutos. Mientras la plancha caliente, asegúrese de que este parada sobre su talón de apoyo en una superficie estable y protegida

Nota: Mientras que la Palanca de Vapor Variable esté en la posición ☼ (Seco), Ud. todavía puede usar la característica SHOT OF STEAM® o SPRAY MIST®. Por favor asegúrese que el tanque de agua esté lleno de agua de 1/4.

SUGERENCIA: Consulte la Guía de Planchado para conocer el nivel de temperatura adecuada para su tela.

PLANCHANDO AL VAPOR

- Siga las instrucciones de la sección “Cómo Llenar el Depósito de Agua”.
- Enchufe el cable en un tomacorriente de CA de 120 voltios.
- Seleccione el tipo de tela deseado (*sintético, seda, lino, algodón o lana*). Deje que la plancha caliente durante 2 minutos. Mientras la plancha caliente, asegúrese de que este parada sobre su talón de apoyo en una superficie estable y protegida.
- Permita que la plancha se caliente por 2 minutos y después mueva la Palanca de Vapor Variable a la posición que desea.

IMPORTANTE: Cuando no esté planchando, ajuste siempre la palanca de vapor a ☼ (seco) y el selector de tela a (apagado)

USO DE LAS FUNCIONES ESPECIALES DE LA PLANCHA

LA FUNCIÓN SPRAY MIST® es una poderosa niebla de agua que humedece la tela para ayudar a eliminar las arrugas de las telas gruesas y para marcar los dobleces.

Para usar la función Spray Mist®: Presione el botón Spray Mist® firmemente.

LA FUNCIÓN SHOT OF STEAM® brinda un chorro de vapor adicional para penetración profunda en arrugas rebeldes. Puede usar esta función cuiando plancha en seco o con vapor, mientras el Disco Selector de Telas este fijo en lana, algodón, o lino. El reservorio de agua de estar aproximadamente 1/4 del lleno de agua.

Para usar la función Shot of Steam®: Ponga la plancha sobre la arruga y presione el botón SHOT OF STEAM® cada vez que desee aplicar un chorro adicional de vapor. La función SHOT OF STEAM® se puede usar en forma continua con sólo una breve pausa entre chorros.

VAPOR VERTICAL (*modelos seleccionados únicamente*) La función vapor vertical permite que su plancha funcione como vaporizador para prendas.

Consejo: Cuando use el vapor vertical sobre las prendas, cuélguelas de una percha para obtener mejores resultados. También se puede usar en cortinas y cortinados colgados.

Para usar el vapor vertical:

- Asegúrese de que la plancha se haya calentado (2 minutos).
- Sostenga la plancha en posición vertical, con la plancha cerca de la tela que desea vaporizar pero sin tocarla.
- Con la otra mano, mantenga tensa la tela.
- Presione el botón SHOT OF STEAM® a intervalos de aproximadamente 3 segundos a medida que mueve la plancha por la zona arrugada.

ADVERTENCIA: Para prevenir el riesgo de quemaduras, mantenga la mano alejada de la zona que está vaporizando.

ADVERTENCIA: NO vaporice las prendas mientras las tenga puestas ya que esto puede provocar lesiones.

FUNCIÓN DE APAGADO AUTOMÁTICO DE 30 MINUTOS

Cuando la plancha esta enchufada, el Apagado Automático se activara después de 30 minutos. El Apagado Automático se activara en cualquier posición después de 30 minutos. Cuando se activa el Apagado Automático, la Luz Indicadora de Encendido se apaga y la plancha para de calentar.

Para Reiniciar la Plancha: Presione el Botón para Reiniciar. (Luz Indicadora de Encendido)

Si no quiere seguir planchando, desenchufe la plancha. Luego coloque la Palanca de Vapor Variable en la posición (Seco) y Selector de Tela en la posición Off (Apagado).

ADVERTENCIA: La función de Apagado Automático es una función de seguridad, no es un medio recomendado para apagar la plancha. Vea “Cómo Cuidar la Plancha Después del Uso”.

INDICADOR STORAGE STRIP® *(modelos seleccionados únicamente)*

El indicador STORAGE STRIP™ (Banda Indicadora de Almacenamiento) fácilmente deje saber cuando la plancha esta suficientemente fría para guardar.

Para usar el indicador Storage Strip®: Prenda la plancha. En aproximadamente 2 minutos, el indicador Storage Strip® cambiara de negro a rojo, indicando que la plancha esta demasiado caliente para guardar. Cuando se apaga la plancha, tomará aproximadamente 30 a 40 minutos para que el indicador Storage Strip® cambiara de rojo a negro, indicando que la plancha esta suficientemente fría para almacenar.

PRECAUCIÓN: El indicador Storage Strip® sólo se debería usa como una guía. La plancha siempre se debe usar y guardar con cuidado.

CUIDADO DE SU PLANCHA DESPUÉS DEL USO

APAGADO DE SU PLANCHA

- Ajuste la palanca de vapor variable a ☼ (Seco) y el selector de tela a Apagado
- Desenchufe la plancha del tomacorriente.

ADVERTENCIA: NUNCA tire del cable para desenchufar la plancha. Esto puede dañar el cable.

ALMACENAMIENTO DE SU PLANCHA

- Apague la plancha y desenchufe del tomacorriente. Deje enfriar la plancha.
- Si no usa la plancha diariamente, vacíe el reservorio de agua después de cada uso para que la misma tenga una mayor vida útil. Para hacerlo, desenchufe la plancha, inviértala, abra la tapa del orificio para cargar agua y deje que salga el agua por el orificio. Sacuda la plancha suavemente para eliminar las gotas de agua retenidas.
- Enrolle el cable alrededor del talón de apoyo y almacene la plancha parada sobre su talón de apoyo.

IMPORTANTE: Si se enrolla el cable de manera muy ajustada alrededor de la plancha se puede dañar el cable.

Consejo: Cuando no esté planchando, ajuste siempre la palanca de vapor a (seco) y el selector de tela a Apagado

MANTENIMIENTO DE SU PLANCHA CLÁSICA

LIMPIEZA DE LA BASE

Limpie la base si se acumula almidón o algún otro residuo.

Para limpiar la base:

- Apague la plancha y desenchufe del tomacorriente. Deje enfriar la plancha y luego pásele un paño suave y húmedo.

ADVERTENCIA: No use limpiadores abrasivos, esponjas de metal ni vinagre para limpiar la base. Esto dañará el acabado.

- Pase la plancha por un paño de puro algodón para eliminar cualquier residuo.

USO DE LA FUNCIÓN DE AUTO-LIMPIEZA

Debe usar la función de autolimpieza una vez al mes para mantener el rendimiento óptimo de su plancha.

Para usar la función de Auto-Limpieza:

- Mueva varias veces la Palanca de Vapor Variable hacia atrás y hacia adelante entre ☼ (Seco) y ☼ (Vapor Máximo) para eliminar los residuos y los minerales de la válvula de vapor.
 - Llene el tanque de agua con agua de caño a la posición MAX.
 - Ajuste el selector de tela a Lino.
 - Enchufe la plancha en un tomacorriente y deje que la plancha se caliente durante 2 minutos.
 - Deje la plancha enfriar, luego ajuste el selector de tela a APAGADO y desenchufe del tomacorriente
 - Deje la plancha enfriar, luego sostenga la plancha sobre el lavadero en posición horizontal
- ADVERTENCIA:** Tenga cuidado para no tocar las superficies calientes de la plancha.
- Presione el botón de limpieza automática y manténgalo presionado. Empezará a gotear agua por las aberturas de salida del vapor. Para asegurarse de que toda el agua haya sido retirada del tanque, balancee lentamente la plancha de un lado al otro y hacia atrás y adelante durante 30 segundos. Al balancear la plancha, incline la nariz de la plancha a una posición ligeramente por debajo de la parte posterior de la plancha para asegurarse de que el agua circule completamente. Libere el botón de limpieza automática después de un minuto de tenerlo presionado.
 - Abra la tapa del depósito de agua, invierta la posición de la plancha y deje que el agua restante salga por el orificio de llenado.
 - Seque la placa de base con una toalla.
 - Enchufe la plancha y establezca el Selector de Tela en Linen (lino). Deje que la plancha se caliente durante 2 minutos para que se seque la plancha completamente.
 - Ajuste el selector de tela a APAGADO, desenchufe la plancha y deje enfriar.